

1 2 3 4 5 6

A

B

C

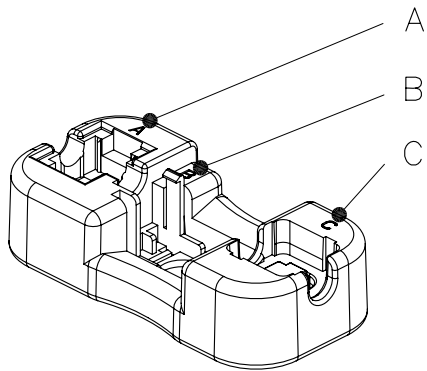
D

A

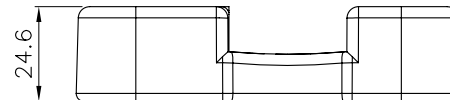
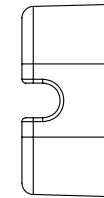
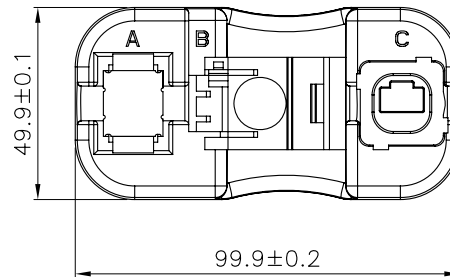
B

C

D



SCALE 1/2



Specification:

Material : Plastic

function : Mark A for JE KJ18 Keystone Jack
 Mark B for JE KJ3 · KJ8 Keystone Jack
 Mark C for JE KJ19 Keystone Jack

GENERAL TOLERANCE OF DIMENSIONS x.xxx ±0.005 x.xx ±0.05 x.x ±0.1	DRAWING	27.SEP.2011	KC		
	CHECK	27.SEP.2011	BF		
	APPROVAL	27.SEP.2011	GR		
	DATE		NAME		ITEM NO.: LPT-B1
SCALE	1/2 (A4)	UNIT	mm	DES.: HERRAMIENTA BASE PARA PONCHAR	
DRAWING NO. LPTB1_DD_SPB01W		DRAWING CLASSIFICATION			S SHEET 1 OF 1

1 2 3 4 5 6 10cm

