

LP-FU702D1IV UniFiber™ ABS Plastic Fiber Optic Splice Tray for 24 cores.

LPFU702D1IV_SS_ENB01W

**Specification:**

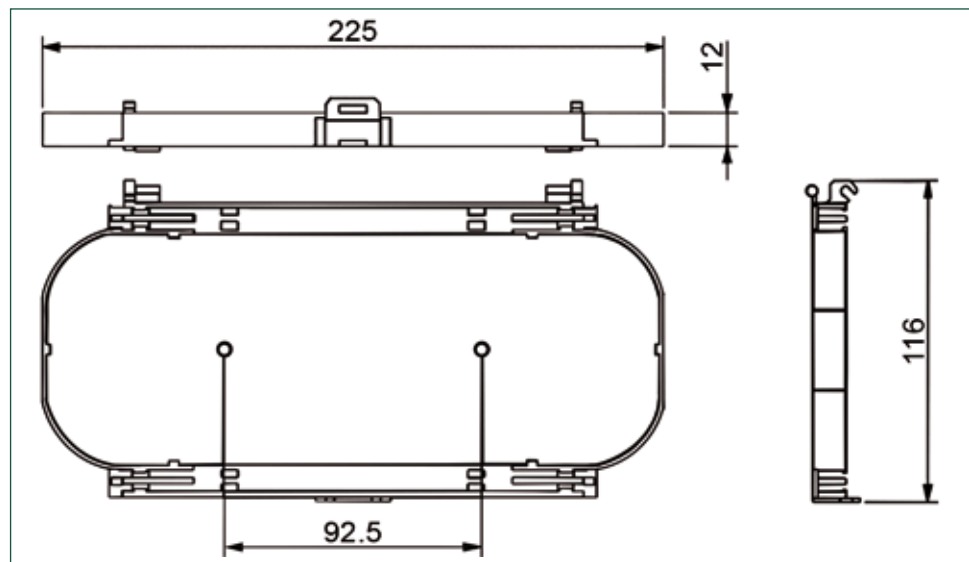
- **Capacity:**
24 cores.
- **Material:**
ABS plastic,
transparent cover.
- **Dimension:**
225 x 116 x 12 mm
- **Application:**
 - * Fiber optic distribution frame.
 - * FTTH terminal box.
 - * Fiber optic splice closures.
 - * Optical cabinet.



**LP-FU702D1IV
UniFiber™ ABS Plastic Fiber Optic Splice Tray
for 24 cores.**

LanPro Fiber optic splice trays provide the function of protection, storage and splicing fibers. They allow fiber is installed in a guided and orderly, serving with the radius of curvature.

The splice tray is designed for easy and efficient access to its interior, as well as to perform multiple stack, rapid interventions (open and close the tray).

A Dimensional Drawing**B How to Order**

**LP-FU702D1IV UniFiber™ ABS Plastic Fiber Optic Splice Tray
for 24 cores.**