

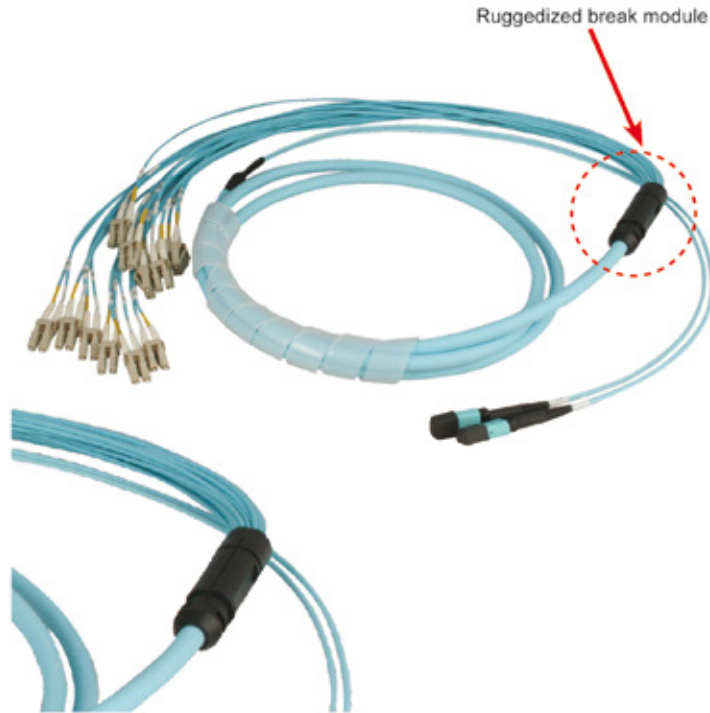
# LP-F57XX

## Fiber Optic Pre-terminated Trunk Harness Series

LPF57XX\_PFD\_ENB01W

### Features

- **Fiber Connector:** ST, SC, FC, LC, MTP® and MPO.
- **Fiber Compatibility:** OM1, OM2, OM3, OM4, OS1/OS2.
- Compliance to ISO/IEC 11801 standards, ANSI/TIA 568 D.
- Compliance to IEC 61300-3-30.
- Available: 8, 12, 24, 36, 48, 72, 96 y/o 144 cores.
- Operating Temperature: -10°C to +60°C.
- Cable extensions (Plug & Play) can be manufactured with a MTP/MPO male connector at one end and MTP/MPO female connector at the other.



### LP-F57XX

## Fiber Optic Pre-terminated Trunk Harness Series

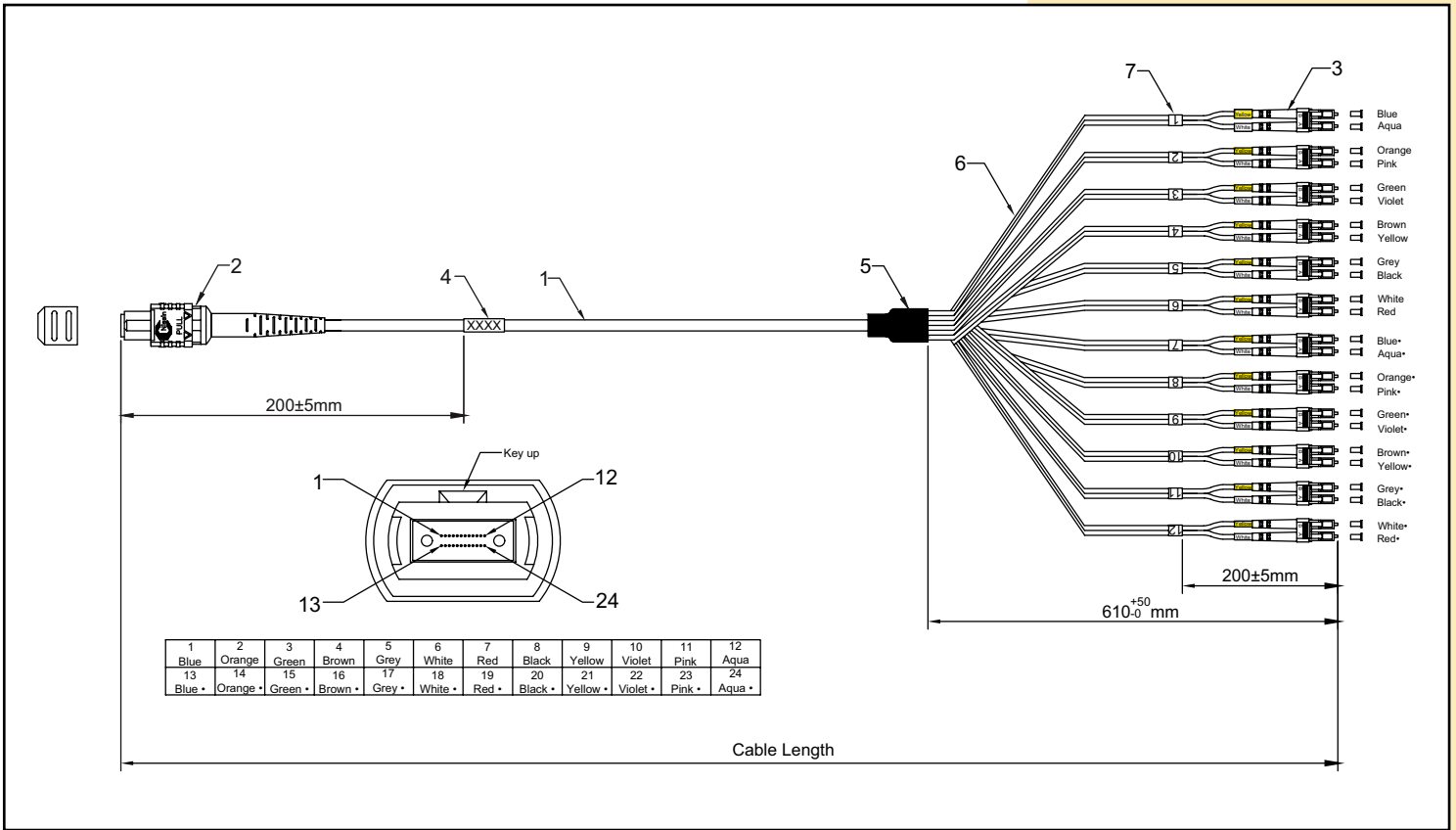
LanPro Trunk Harness Series is for backbone installation. LanPro provides a complete set of choices for fiber connector's interface. MTP®/ MPO in 12, 24 up to 144 fiber connectors interface are available with an insertion loss of  $\leq 0.2$ dB and pulling eyes design to fit for different environment. Similar to LanPro Harness series, LanPro Trunk Harness supports desire cable, such as round or mini-core cable structure to eliminate bend sensitivity.

### A Applications:

Tailor configuration and breakout construction to application requirements to minimize waste, optimize cable management, speed deployment and improve flexibility and manageability for lower installation costs. Reliable high-density interconnection for: Data communications networks, including high-bandwidth equipment, interconnections for parallel optical transmitters and receivers, telecommunications networks and broadband/CATV networks.

- OM2 (50/125 um): for LED or laser-based propagation.
- OM3 & OM4 (50/125um): for VCSEL-based propagation.
- OS1/OS2 (9/12um): Laser-based propagation.

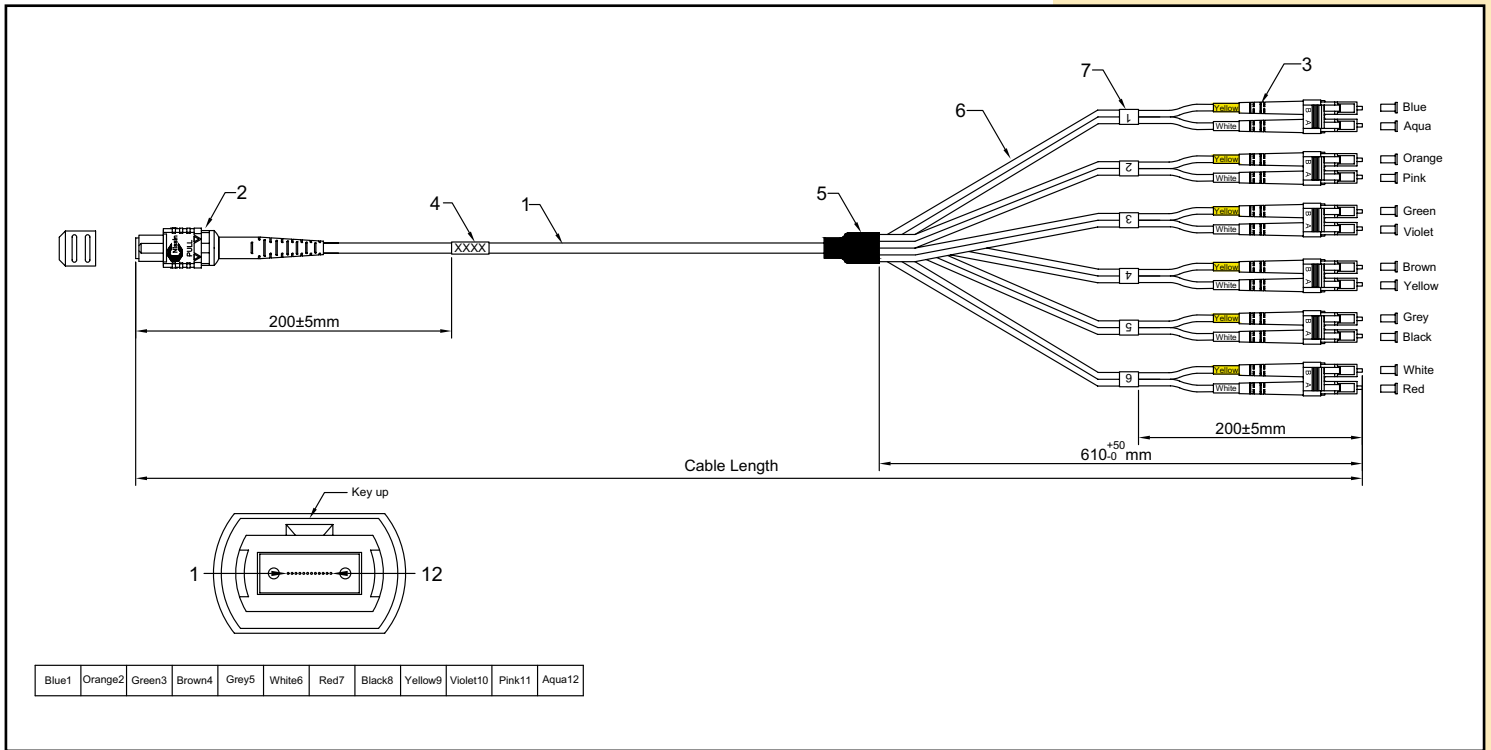
**B Dimensional Drawing (Configuration Examples):**



**Fiber Optic Patch Cord MPO/PC-LC/PC 24 Fibers Multimode**

<b>1</b>	<b>A/R</b>	OD:3.0mm, Multimode 50/125 OM4, 24Fibers Micro Cable, PVC, Aqua
<b>2</b>	<b>1</b>	MPO/PC Female MM 24 Fibers Connector (Aqua Housing Black Boot)
<b>3</b>	<b>12</b>	LC/PC Multimode Duplex 2.0mm Connector (Beige Housing White Boot)
<b>4</b>	<b>1</b>	Cable Label
<b>5</b>	<b>1</b>	Fanout Kit
<b>6</b>	<b>A/R</b>	OD:2.0mm, Duplex, PVC, Aqua
<b>7</b>	<b>12</b>	Cable Marker

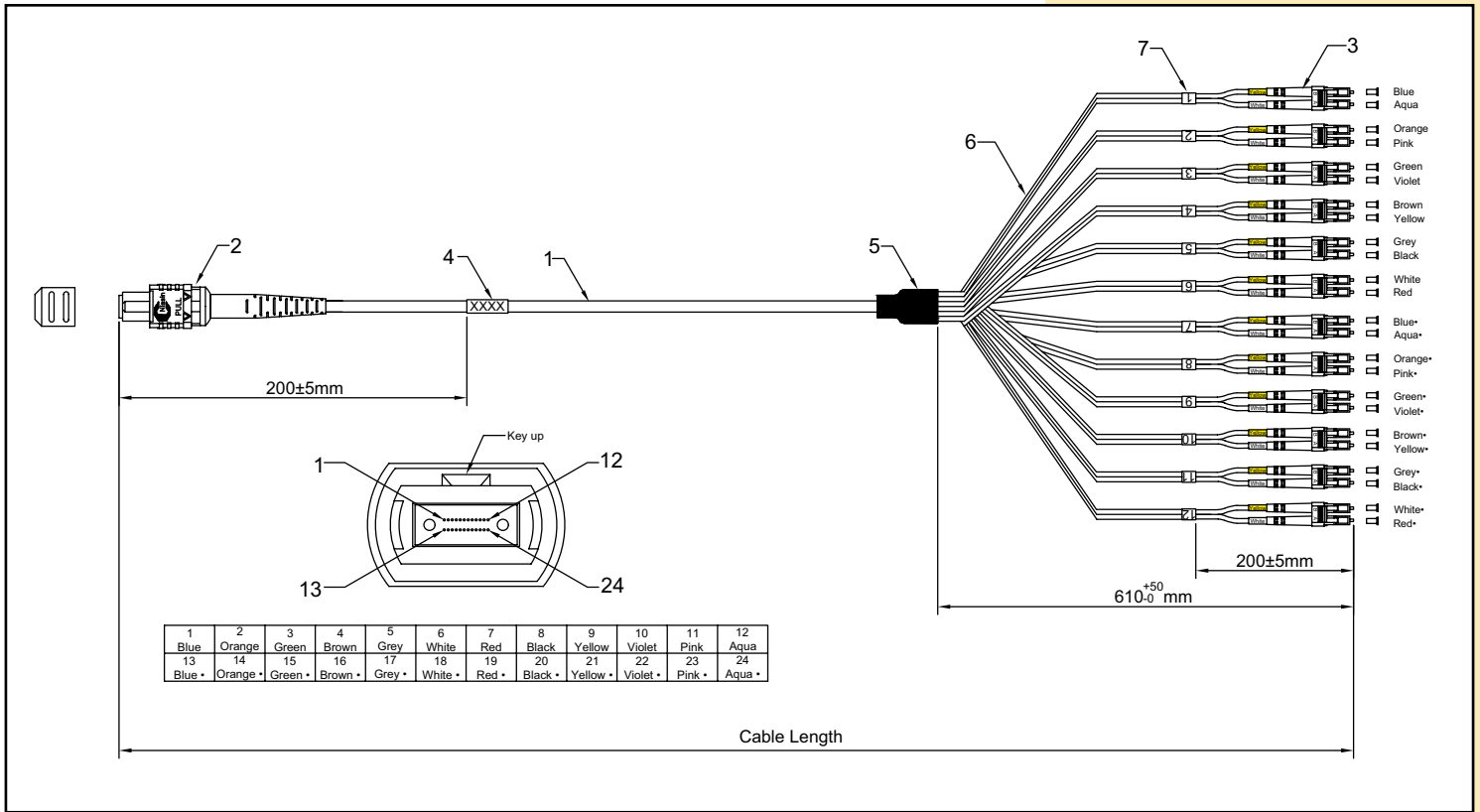
NOTES	
Insertion loss ≤0.5dB (MPO) ≤ 0.2dB (LC) Return loss ≥ 30dB (MPO) ≥ 35dB (LC)	
Cable Length	Tolerance
Cable Length < 1m	5cm
1m ≤ Cable length < 15m	10cm
15m ≤ Cable Length < 30m	15cm
Cable Length ≥ 30m	Cable Length*1%



**Fiber Optic Patch Cord MPO/APC-LC/PC 12 Fibers Singlemode**

<b>1</b>	<b>A/R</b>	OD:3.0mm, Singlemode 9/125 G657A1, 12 Fibers Micro Cable, PVC, Yellow
<b>2</b>	<b>1</b>	MPO/APC Female SM 12 Fibers Connector (Green Housing Black Boot)
<b>3</b>	<b>6</b>	LC/PC Singlemode Duplex 2.0mm Connector (Blue Housing White Boot)
<b>4</b>	<b>1</b>	Cable Label
<b>5</b>	<b>1</b>	Fanout Kit
<b>6</b>	<b>A/R</b>	OD:2.0mm, Duplex, PVC, Yellow
<b>7</b>	<b>6</b>	Cable Marker

<b>NOTES</b>	
Insertion loss ≤0.7dB (MPO) ≤ 0.2dB (LC) Return loss ≥ 60dB (MPO) ≥ 50dB (LC)	
<b>Cable Length</b>	<b>Tolerance</b>
Cable Length < 1m	5cm
1m ≤ Cable length < 15m	10cm
15m ≤ Cable Length < 30m	15cm
Cable Length ≥ 30m	Cable Length*1%

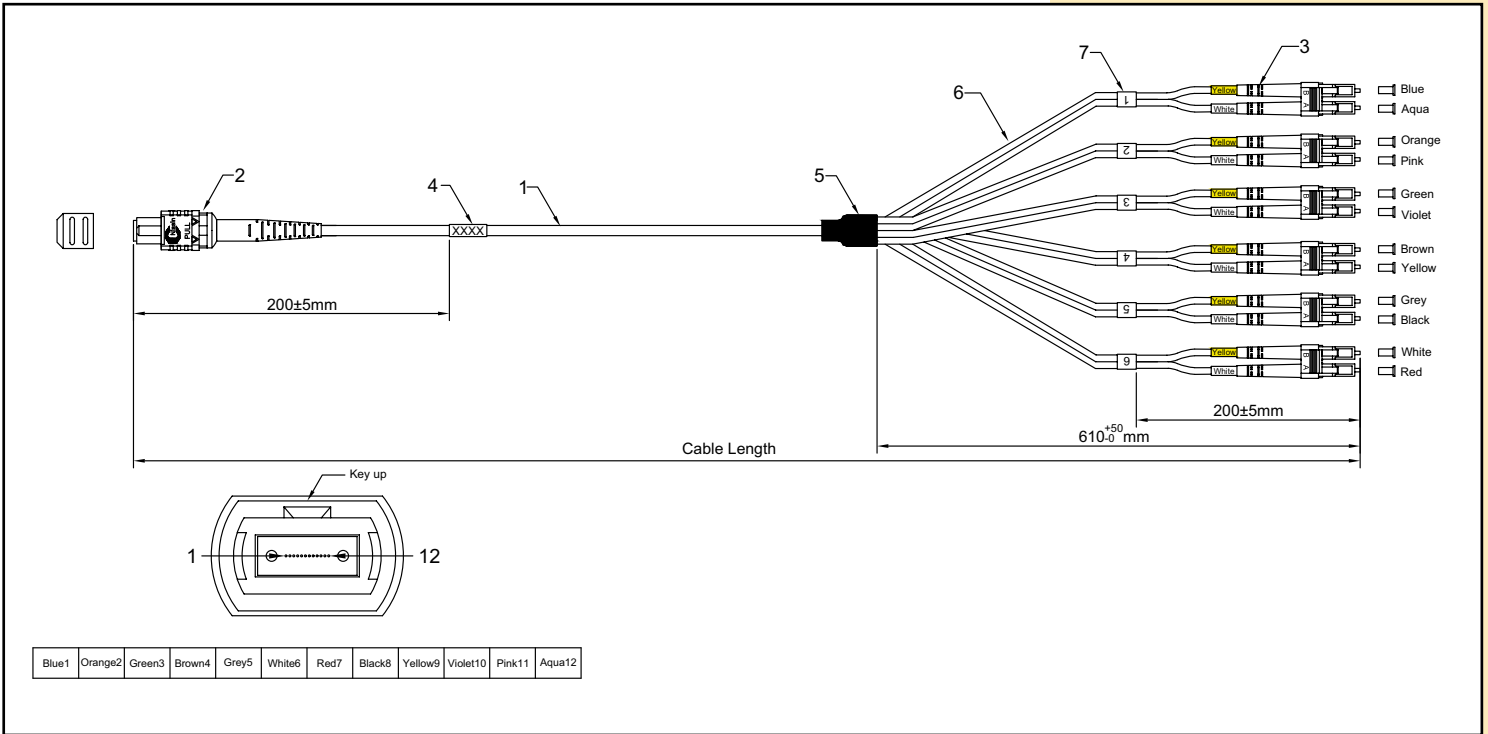


**Fiber Optic Patch Cord MPO/APC-LC/PC 24 Fibers Singlemode**

<b>1</b>	<b>A/R</b>	OD: 3.0mm, Singlemode 9/125 G657A1, 24 Fibers Micro Cable, PVC, Yellow
<b>2</b>	<b>1</b>	MPO/APC Female SM 24 Fibers Connector (Green Housing Black Boot)
<b>3</b>	<b>12</b>	LC/PC Singlemode Duplex 2.0mm Connector (Blue Housing White Boot)
<b>4</b>	<b>1</b>	Cable Label
<b>5</b>	<b>1</b>	Fanout Kit
<b>6</b>	<b>A/R</b>	OD:2.0mm, Duplex, PVC, Yellow
<b>7</b>	<b>12</b>	Cable Marker

NOTES	
Insertion loss ≤ 0.7dB (MPO) ≤ 0.2dB (LC) Return loss ≥ 60dB (MPO) ≥ 50dB (LC)	
Cable Length	Tolerance
Cable Length < 1m	5cm
1m ≤ Cable length < 15m	10cm
15m ≤ Cable Length < 30m	15cm
Cable Length ≥ 30m	Cable Length*1%





**Fiber Optic Patch Cord MPO/PC-LC/PC 12 Fibers Multimode**

<b>1</b>	<b>A/R</b>	OD:3.0mm, Multimode 50/125 OM4, 12 Fibers Micro Cable, PVC, Aqua
<b>2</b>	<b>1</b>	MPO/PC Female MM 12 Fibers Connector (Aqua Housing Black Boot)
<b>3</b>	<b>12</b>	LC/PC Multimode Duplex 2.0mm Connector (Beige Housing White Boot)
<b>4</b>	<b>1</b>	Cable Label
<b>5</b>	<b>1</b>	Fanout Kit
<b>6</b>	<b>A/R</b>	OD:2.0mm, Duplex, PVC, Aqua
<b>7</b>	<b>12</b>	Cable Marker

<b>NOTES</b>	
Insertion loss $\leq 0.5\text{dB}$ (MPO) $\leq 0.2\text{dB}$ (LC) Return loss $\geq 30\text{dB}$ (MPO) $\geq 35\text{dB}$ (LC)	
<b>Cable Length</b>	<b>Tolerance</b>
Cable Length < 1m	5cm
1m $\leq$ Cable length < 15m	10cm
15m $\leq$ Cable Length < 30m	15cm
Cable Length $\geq 30\text{m}$	Cable Length*1%

**How to Order**

**LP-F57DDLCAADF0052**

LP-F57	FIBER TYPE		FIBER COUNTS		COLOR		JACKET MATERIAL	
LANPRO TRUNK HARNESS	<b>C</b>	10G 50/125um	<b>A</b>	8C	<b>A</b>	BL	<b>C</b>	PVC End B Pulling eye
	<b>D</b>	OM3 50/125um	<b>B</b>	12C	<b>B</b>	OR	<b>G</b>	PVC OFNP End B Pulling eye
	<b>E</b>	OM4 50/125um	<b>C</b>	24C	<b>C</b>	GN	<b>K</b>	LSZH End B Pulling eye
	<b>F</b>	SM(G652D) 9/125um	<b>D</b>	36C	<b>D</b>	BR		
	<b>H</b>	SM(G657A2) 9/125um	<b>E</b>	48C	<b>E</b>	GY		
			<b>F</b>	72C	<b>F</b>	WH		
			<b>G</b>	96C	<b>G</b>	RD		
			<b>H</b>	144C	<b>H</b>	BK		
					<b>I</b>	YL		
					<b>J</b>	VT(PU)		
				<b>K</b>	RS(PK)			
				<b>L</b>	AQ			

A CONNECTOR		B CONNECTOR		LENGTH	
<b>AA</b>	12 F MTP® (MM)	<b>AA</b>	FC One Piece (MM)	<b>0032</b>	3M
<b>AB</b>	12 F MTP® (MM Low Loss)	<b>AB</b>	FC One Piece (MM Low Loss)	<b>0052</b>	5M
<b>AC</b>	12 F MTP® (SM APC)	<b>AC</b>	FC One Piece (SM SPC)	<b>0102</b>	10M
<b>AD</b>	12 F MTP® (SM APC Low Loss)	<b>AD</b>	FC One Piece (SM UPC)	<b>0152</b>	15M
<b>AE</b>	12 F MTP®+Guide Pin (MM)	<b>AE</b>	FC One Piece (SM APC)	<b>0202</b>	20M
<b>AF</b>	12 F MTP®+Guide Pin (MM Low Loss)	<b>BA</b>	ST (MM)	<b>0252</b>	25M
<b>AG</b>	12 F MTP®+Guide Pin (SM APC)	<b>BB</b>	ST (MM Low Loss)	<b>0302</b>	30M
<b>AH</b>	12 F MTP®+Guide Pin (SM APC Low Loss)	<b>BC</b>	ST (SM SPC)	<b>0402</b>	40M
<b>BA</b>	12 F MPO (MM)	<b>BD</b>	ST (SM UPC)	<b>0502</b>	50M
<b>BB</b>	12 F MPO (MM Low Loss)	<b>CF</b>	SCII w/Clip (MM)	<b>0602</b>	60M
<b>BC</b>	12 F MPO (SM APC)	<b>CG</b>	SCII w/Clip (MM Low Loss)	<b>0702</b>	70M
<b>BD</b>	12 F MPO (SM APC Low Loss)	<b>CH</b>	SCII w/Clip (SM SPC)	<b>0802</b>	80M
<b>BE</b>	12 F MPO+Guide Pin (MM)	<b>CI</b>	SCII w/Clip (SM UPC)	<b>0902</b>	90M
<b>BF</b>	12 F MPO+Guide Pin (MM Low Loss)	<b>CJ</b>	SCII w/Clip (SM APC)	<b>1002</b>	100M
<b>BG</b>	12 F MPO+Guide Pin (SM APC)	<b>DF</b>	LC w/Clip (MM)		
<b>BH</b>	12 F MPO+Guide Pin (SM APC Low Loss)	<b>DG</b>	LC w/Clip (MM Low Loss)		
		<b>DH</b>	LC w/Clip (SM SPC)		
		<b>DI</b>	LC w/Clip (SM UPC)		
		<b>DJ</b>	LC w/Clip (SM APC)		

**Example:**  
**LP-F57DDLCAADF0052** Fiber Optic Trunk Harness, OM3 50/125um, 36C, PCV end B pulling eye Aqua jacket, 12F MTP® MM to LC w/Clip MM, 5m length.