

LP-F51PMCB02**LanPro's Pole Mounting Clamp Bracket (with or without provision for screws)**

LPF51PMCB02_SS_ENB01W

Features

- Reasonable distribution of static stress.
- Good endurance capacity for dynamic stress (such as vibration and waving). The grip strength to cable can reach 10%~20% of cable's ultimate tension strength.
- Galvanized Steel material, Good corrosion resistance, and long-term usage.
- Well tensile properties: The max tensile strength could be 100% of the conducts nominal tensile force.
- Easy installation: Do not need any professional tools and could install it easy and fast.

Application

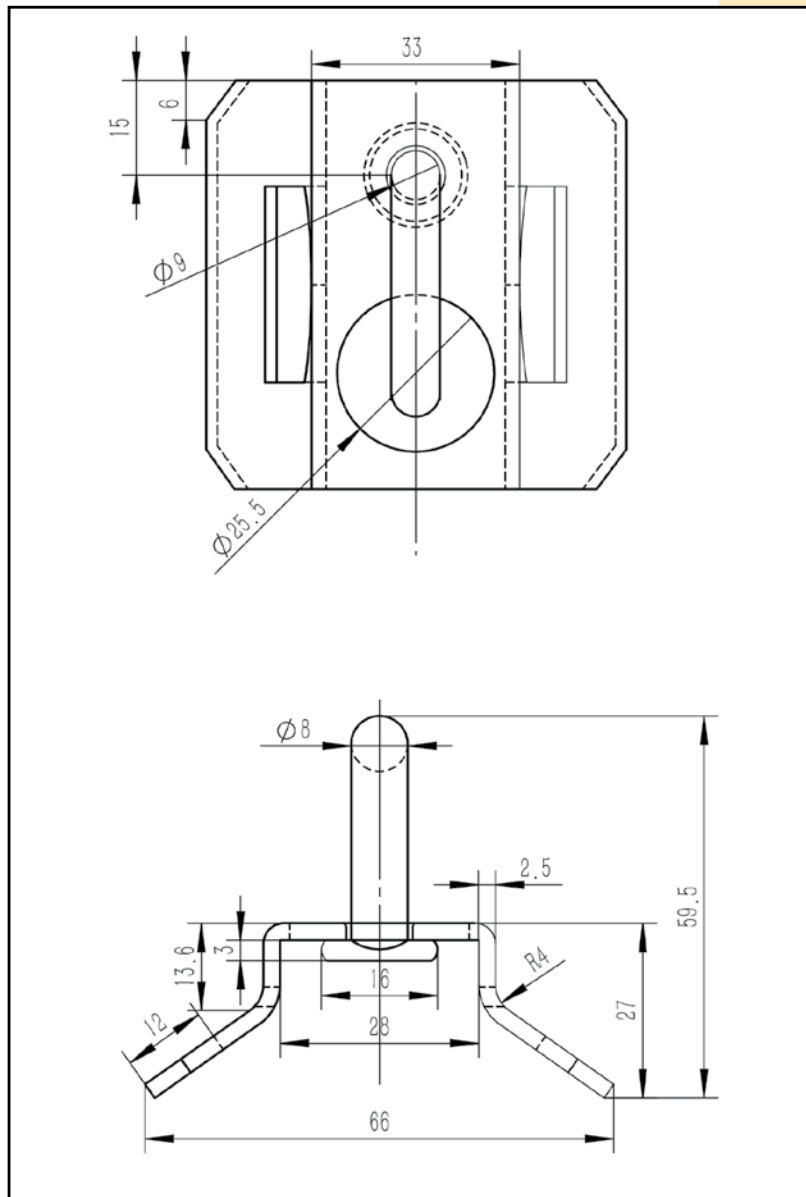
- Play a supporting role, make ADSS cable hang on the pole.
- Suggest using on the pole with cable line intersection angle less than 15°.
- Pole mounted; additional steel straps available for fixation.

**LP-F51PMCB02****LanPro's Pole Mounting Clamp Bracket (with or without provision for screws)**

LanPro's Pole mounting Brackets are designed to securely fasten your plastic and metal enclosures to a pole. The pole mounting brackets are a set of two rails or a plate with a pole clamp and needed screws. Pole mounting bracket is made of galvanized steel, which is guarantees a long time of usage.

Pole Mounting bracket is more suitable to mount on poles with stainless steel straps, it is widely used in FTTx projects, to fix drop cable wire anchoring clamp, suspension clamp.



A Dimensional Drawing**B Packing:**

200 Per box, 24kg, 0.037 CBM

C How to order:

LP-F51PMCB02 LanPro's Pole Mounting Clamp Bracket (with or without provision for screws).