

LP-F51DCCB01 LanPro's Drop Cable Clamp B type size 01

LPF51DCCB01_SS_ENB01W

Features

- Specially designed to anchor drop wire connectors of different diameters, and purposes.
- Developed to anchor telephone drop wire, telecom fiber optic drop wires.
- Material: Drop wire clamps are made of stainless-steel materials, aluminum, thermoplastic. That ensures high corrosion resistance and guarantee a long period of usage.



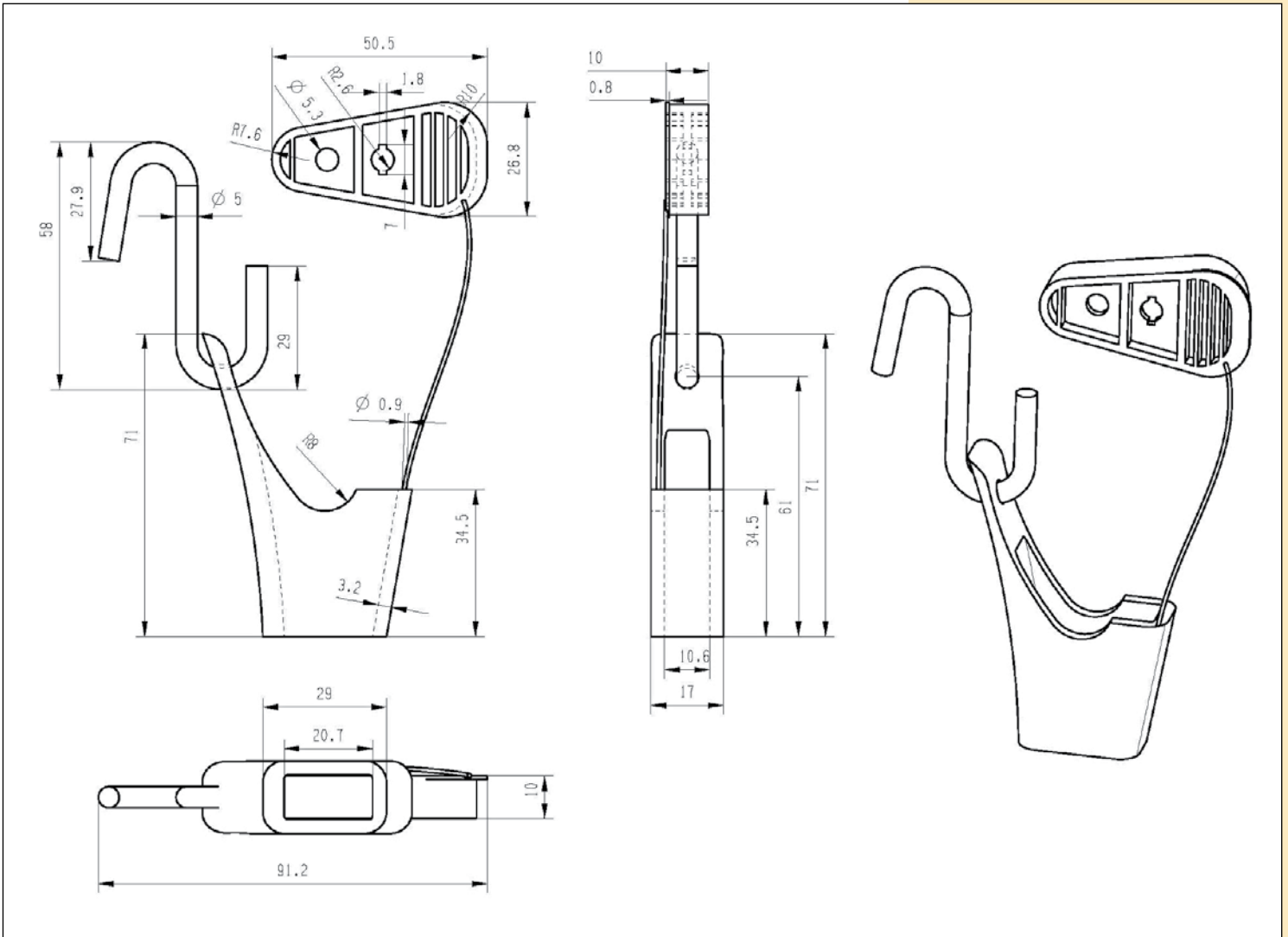
LP-F51DCCB01 LanPro's Drop Cable Clamp B type size 01

LanPro's Aerial drop wire clamps are attached to the building, strand or poles by special anchoring bracket, drive hooks, pole brackets, SS hooks, and various drops attachments.

Special drop wire clamp's design allows implementing the securely "dead end" without risk of cable loss or damage under high tension loads. The special clamping surface of anchoring clamp does not cut the cable jackets.

All the assemblies passed the tensile tests, operation experience with temperatures ranging from -60°C up to +60°C test, temperature cycling test, aging test, corrosion resistance test etc.

A Dimensional Drawing



B Packing:

300 per box, 13kg, 0.035CBM.

C How to order:

LP-F51DCCB01 LanPro's Drop Cable Clamp B type size 01