

## LP-F3314HBK Cylindrical Fiber Optical Splice Closure 1 oval port plus 4 round ports, $\Phi 139.8 \times 349.1\text{mm}$ (H)

LPF3314HBK\_SS\_ENB01W

### Features

- Material: Outside PP closure body, inside ABS splice tray.
- Sealing structure: Heat shrinkable sealing.
- IP standard: IP68.
- Cable port: 1 oval port 24.5\*50mm + 4 round ports (2pcs  $\Phi 20\text{mm}$  & 2pcs  $\Phi 16\text{mm}$ ).
- Capacity: Max. 48 fibers.
- Splice tray: only 1pc, two sides are same design, each side 12 slots for max. 24 fibers splicing.
- Simplified design, very easy for installation and maintenance.



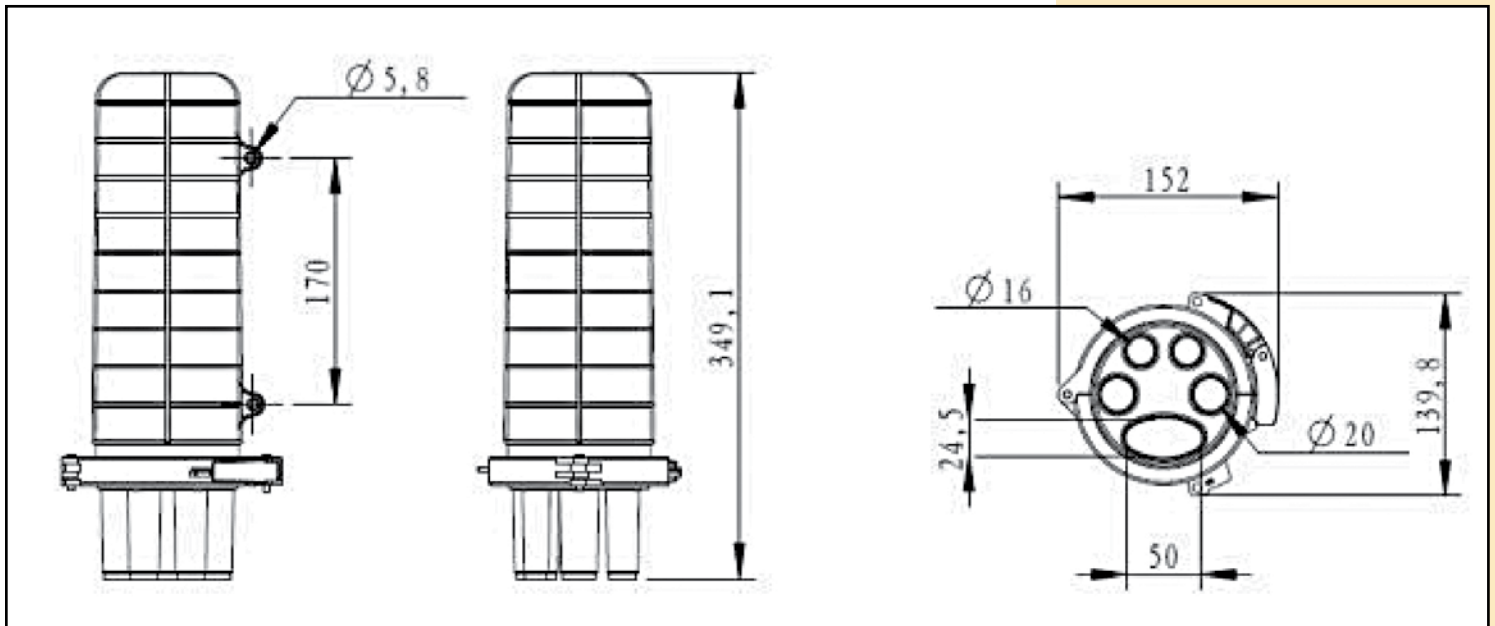
### LP-F3314HBK Cylindrical Fiber Optical Splice Closure 1 oval port plus 4 round ports, $\Phi 139.8 \times 349.1\text{mm}$ (H)

The **LP-F3314HBK** Cylindrical Fiber Optical Splice Closure 4 port, is widely applied to the splicing, distributing variable optical cables.

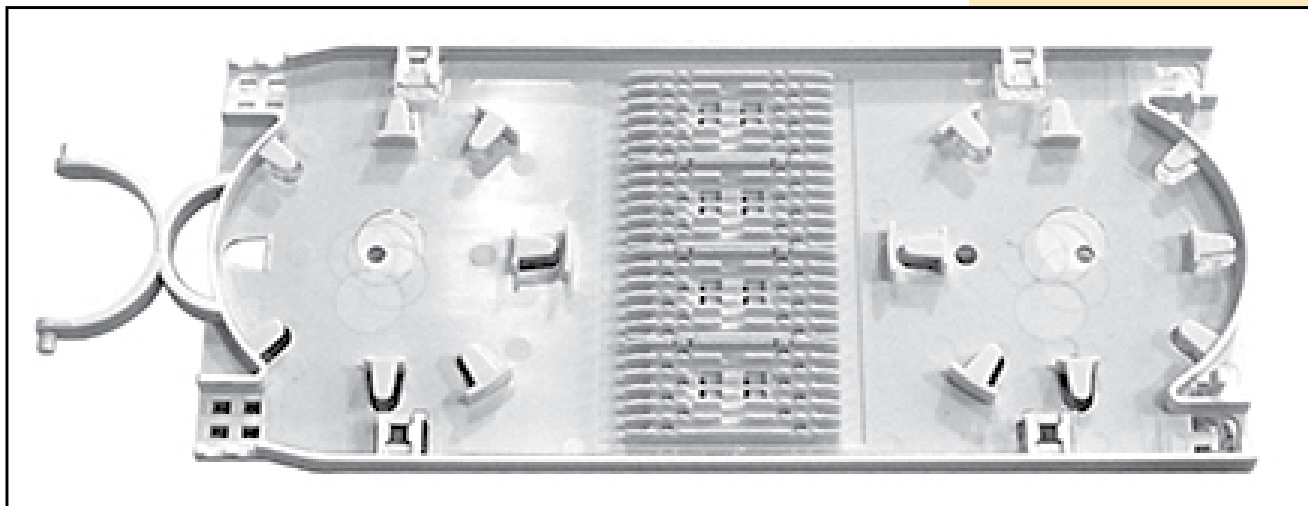
### A Specifications

| Splice tray | Max. capacity | Dimension (mm)                     | Cable port            |
|-------------|---------------|------------------------------------|-----------------------|
| 1 piece     | 48 FO         | $\Phi 139.8 \times 349.1\text{mm}$ | 1 oval & 4 round port |

**B Dimensional Drawing**



**C Individual Splice Tray**



**D How to Order**

**LP-F3314HBK** Cylindrical Fiber Optical Splice Closure 1 oval port plus 4 round ports,  $\Phi 139.8 \times 349.1$ mm (H).

**LP-F33702DIV** ABS plastic fiber optic Splice Tray for cylindrical fiber optical splice closure for up to 24 cores.