

LP-F205HOY07XX Loaded FTTH fiber optic terminal Outdoor ABS plastic box, Pole or Wall mountable with 16 SC Adaptors (included).

LPF205HOY07XX_SS_ENB01W

Features

- For use in the end outdoor termination of residential building and villas in FTTH applications.
- Wall or Pole Mountable.
- Loaded with 16 SC/SC optical adaptors.
- High Quality ABS plastic Oyster white box.

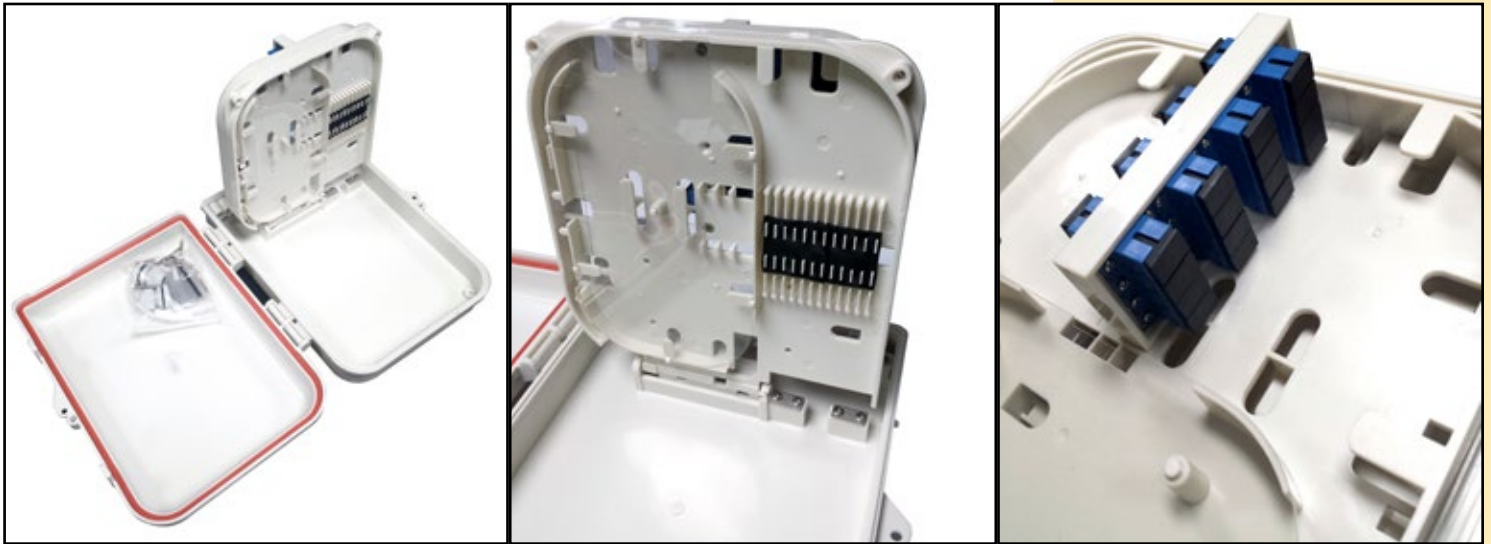


**LP-F205HOY07XX
Loaded FTTH fiber optic terminal Outdoor ABS plastic box, Pole or Wall mountable with 16 SC Adaptors (included).**

The **LP-F205HOY07XX** is a FTTH fiber optic terminal Outdoor plastic box used in the end termination of residential building and villas to fix and splice pigtails. It can be installed on the wall or onto a Pole and is loaded with 16 SC/SC optical adaptors. It is made of high quality ABS plastic.

Reasonable design for fiber arrangement, with a bend radius with more than 30 mm.



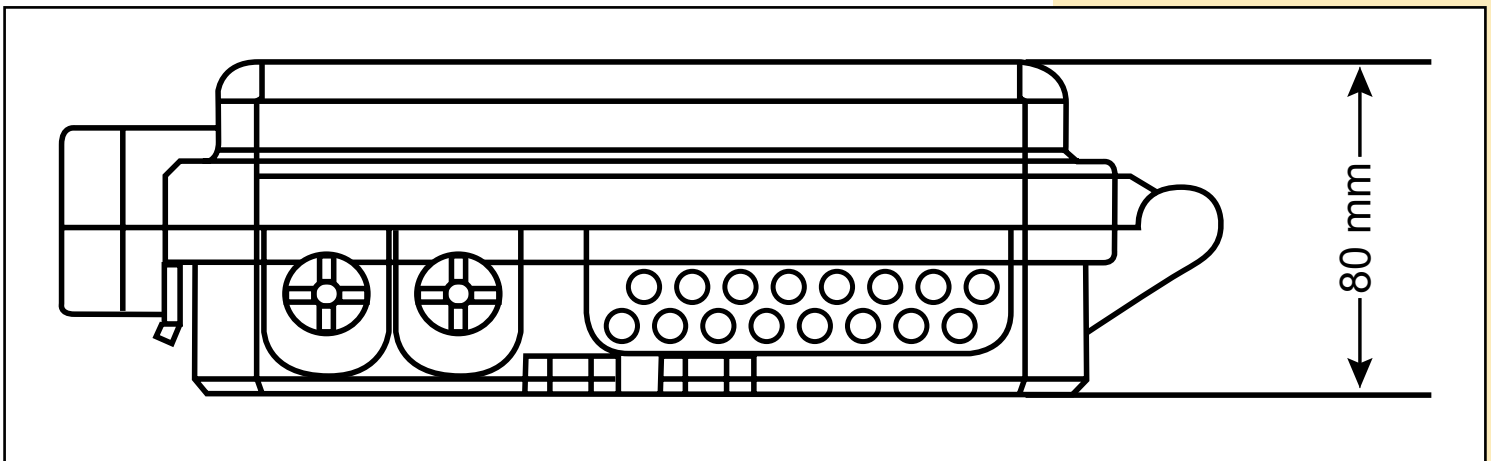


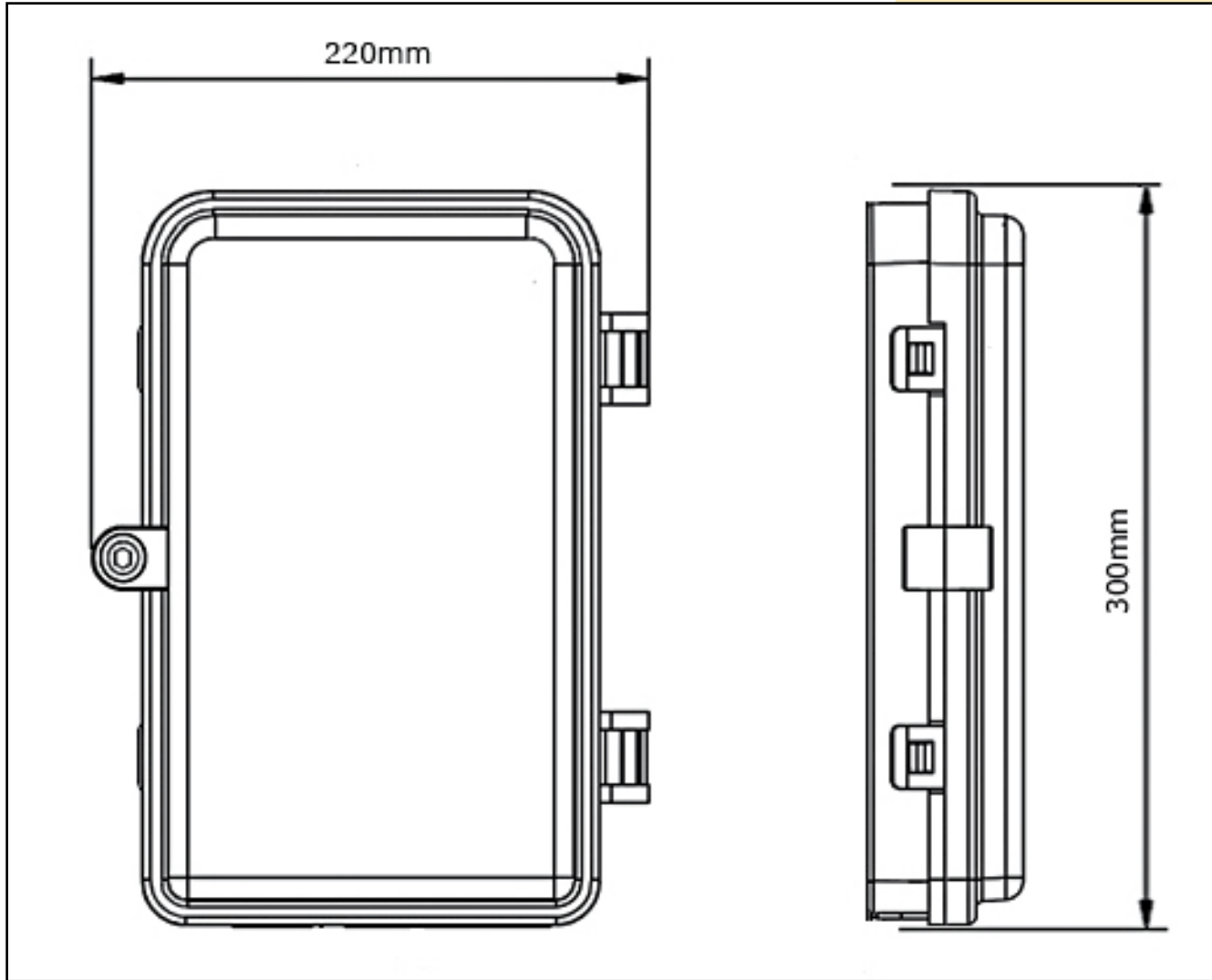
A Specifications

Operating temperature	-20 °C + 80 °C
Relative humidity	≤90% (+30%) without condensation
Atmospheric pressure	70 Kpa - 106 Kpa
Storage Temperature	-20 °C + 80 °C
Adaptors	16 SC/SC Singlemode
IP standard	IP55

B Dimensional drawing

300 mm (H) × 220 mm (W) × 80 mm (D)





C How to order:

Examples:

<p>LP-F205HOY07S1</p>	<p>Loaded FTTH fiber optic terminal Outdoor ABS plastic box, Pole or Wall mountable with 16 SC Singlemode Adaptors (included).</p>
<p>LP-F205HOY07M1</p>	<p>Loaded FTTH fiber optic terminal Outdoor ABS plastic box, Pole or Wall mountable with 16 SC Multimode Adaptors (included).</p>

LanPro is continuously improving its products and reserves the right to change specifications and availability without prior notice.