

LP-F181FBKYY 36 or 48 Port Wall Mounted Optical Distribution Frame (ODF) unloaded and black painted.

LPF181FBKYY_SS_ENB01W

Features

- The chassis is made of hardened steel & insulation materials, thus having excellent mechanical and electrical performance. It is a solid and durable equipment.
- Dual door with keylock, circular type
- Number of Adapters outputs (Not included): 36 or 48 ports.
- Holds up to eight (8) 99x37mm six(6) port adapter holding panels(Not included).
- Lateral opening for conduit access of optical cable
- Panels for SC, FC, ST, LC, etc. adaptors, available in separate order as unloaded or loaded.
- 96 Fiber cores maximum capacity.
- Reliable pigtail enclosure for protection and organization
- For extensive field applications.
- Convenient for its operation and maintenance.
- Compliance to ISO/IEC 11801 standards, ANSI/TIA 568 D.
- Modular design with internal fiber organizers.
- It has anchoring and safe points for the entry of the fiber cable into the unit.



LP-F181FBKYY 36 or 48 Port Wall Mounted Optical Distribution Frame (ODF) unloaded and black painted.

The 36 or 48 port Wall Mounted Optical Distribution Frame (ODF) without adaptors is designed as a reliable fiber optic organization and distribution product, it is of the enclosure with doors type, convenient for operations and maintenance.

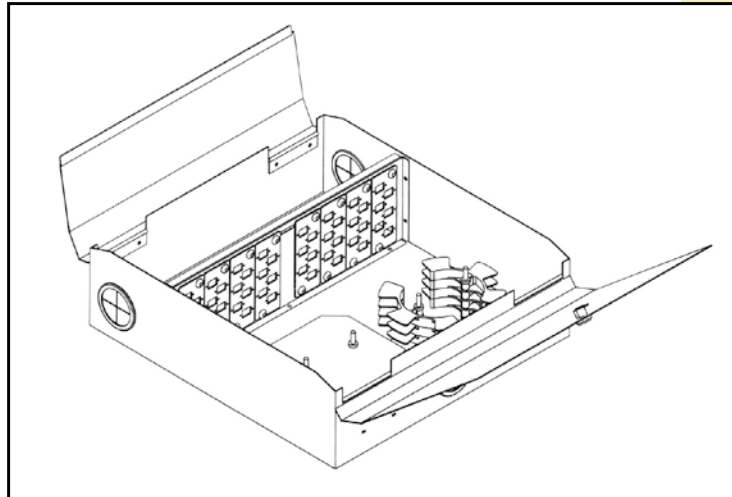
The 36 or 48 port ODF has wide operation temperature range and is made for high density distribution in fiber optic installations.

The user can decide which and how many adaptors to install by separately purchasing the 99 x 37 mm panels loaded with his / her choice of adaptors.

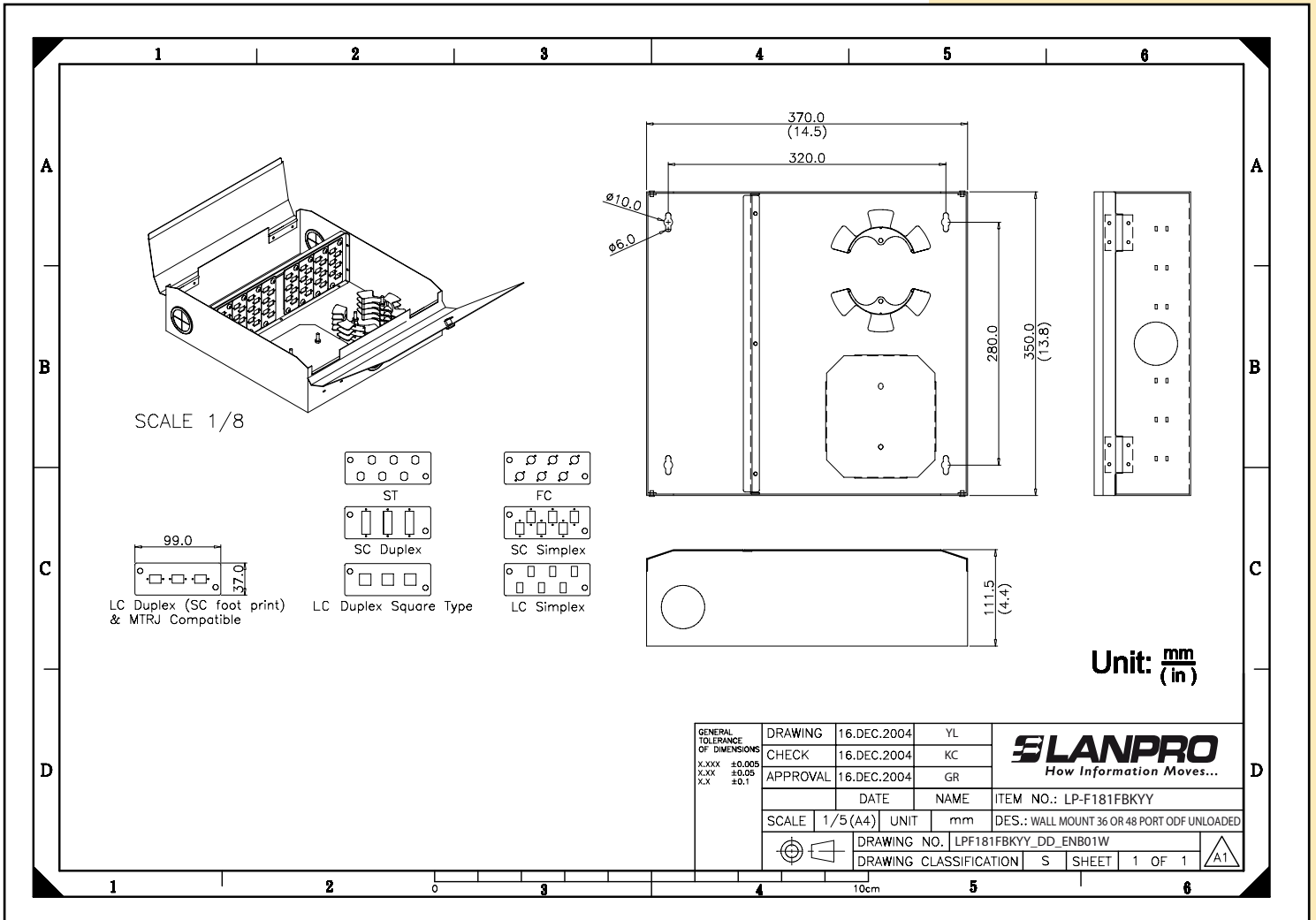


A Specifications

- Constructed from 18 gauge steel.
- Dust covers: Qty.: 3. PVC
- Matrix(Chassis): SPCC, 1.2mm thickness
- Cover: 1.0mm thickness SPCC
- Lock: 1 piece metal with circular key
- Panel for mounting adaptor panels: 1.5mm Thickness SPCC
- 8 empty places for 99x37 mm adaptor panels
- Splice tray: 4 Set Aluminum
- Spool Cable routing: ABS, UL 94V-0, 4 sets
- Fiber bending radius guaranteed: $\geq 40\text{mm}$ Dust covers: PVC
- Paint: Black Painted
- Dimensions: 4.4" x 13.8" x 14.5"(111.5 mm x 350 mm x 370 mm)
- Weight: 5 Kg
- Environment temperature: $-40^{\circ}\text{C} \sim +80^{\circ}\text{C}$.
- Relative humidity: $\leq 85\%$ (30°C).
- Atmospheric pressure: 70~106KPa.
- Insulation Resistance: $\geq 2 \times 10\text{M}\Omega/500\text{V}$ (DC).
- Application: to terminate and distribute optical fiber cables, they are convenient in order to organize and connect fiber optic links.
- It can appropriately protect fiber connectors.



B Dimensional Drawing



C Cómo Ordenar:

LP-F181FBKYY 36 or 48 Port Wall Mounted Optical Distribution Frame (ODF), unloaded and black painted