

7000 Series WallRacks (WR) Cabinets.

LPWALLRACK7000_PFD_ENB01W

Features

- **Cable Management:**
LanPro WallRack (WR) is provided with two cable entry points on the top and bottom of the enclosure. Plastic snap in panels cover these slot and can be conveniently removed. For additional security, these panels can be replaced by a metal plate secured from the inside of the cabinet. The large opening normally used for fan trays or filler panels can also be used for cable entry.
- **Thermal Management:**
Wall boxes do not normally have the component density which generates excess heat. Nevertheless, we have provided ventilation slots on the side panels and left an opening on the top of the enclosure. This opening can be covered with a blank panel, vented panel or a fan tray.
- **Strength:**
Our WallRack (WR) will support loads up to 60kg. Load will vary depending on your specific wall construction. LanPro tests are conducted with a cinder block wall.
- **Fan included.**
- **Installation:**
Our basic wallbox mounts directly to the wall via four removable brackets. For models 6U through 15U, there is a single 19" mounting rail built into the front frame. Our 18U model requires more support and comes standard with the second rear frame.
- **High SPCC grade sheet steel.**
- **Phosphate primer and electrostatic powder painted for scratch resistance.**
- **Basic color is black. They can be produced in several depths and colors under special order.**
- **Standards:** ANSI/EIA RS-310-D, IEC297-2, DIN41491 part I, DIN41494 part 7, GB/T347 as of 2-92.
- **Grounding post in the plinth.**
- **4 wall mounting holes on the internal back frame (LP-R702XX) or external back frame (LP-R701XX).**



7000 Series WallRacks (WR) Cabinets.

Single & Double Section.

The 7000 Series wall cabinets follow our tradition of strength and robustness which characterizes this series. They are sturdy and resistant, made of a special thick steel sheet for withstanding years of use and abuse.

These 7000 Series WallRacks are composed of a frame, side panels and doors. Come packaged in three(3) boxes. These cabinets are mostly used typically in small installations where there is a mix of cabling, Switches, Routers and other active equipment made for Rack mounting or not. 7000 Series Wall Racks come with Fan Trays included in order to facilitate the installation and mounting time of the product to the system's integrator. These fan trays enhance the thermal management of the units and use high quality Fans with ball bearings for a 50,000 hour MTBF long lifespan.

They are available from 6 U to 27 U heights in standardized 19 inch rack and a static load of 60 Kg.

They are not designed to carry large rack mounted servers.

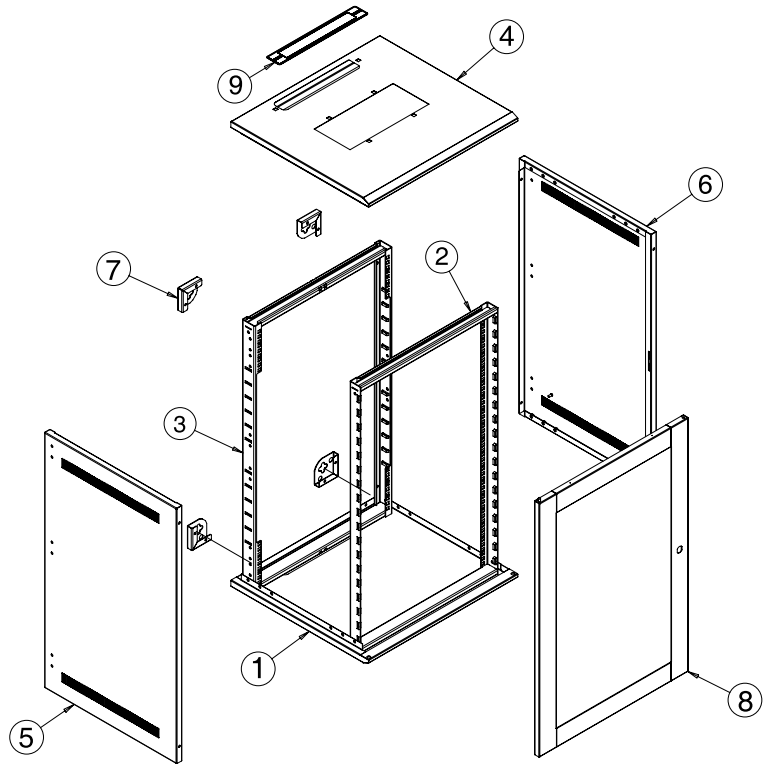
The 7000 Series WallRack cabinets are also available with a back frame with hinges (Double section) that permit swinging the cabinet and accessing the back side, and comes with a keylock for security, these come completely assembled.

A new design of stainless latch for the double section units is due for year 2011 production that will increase the capability of the cabinet for handling the stress imposed by heavy loads.

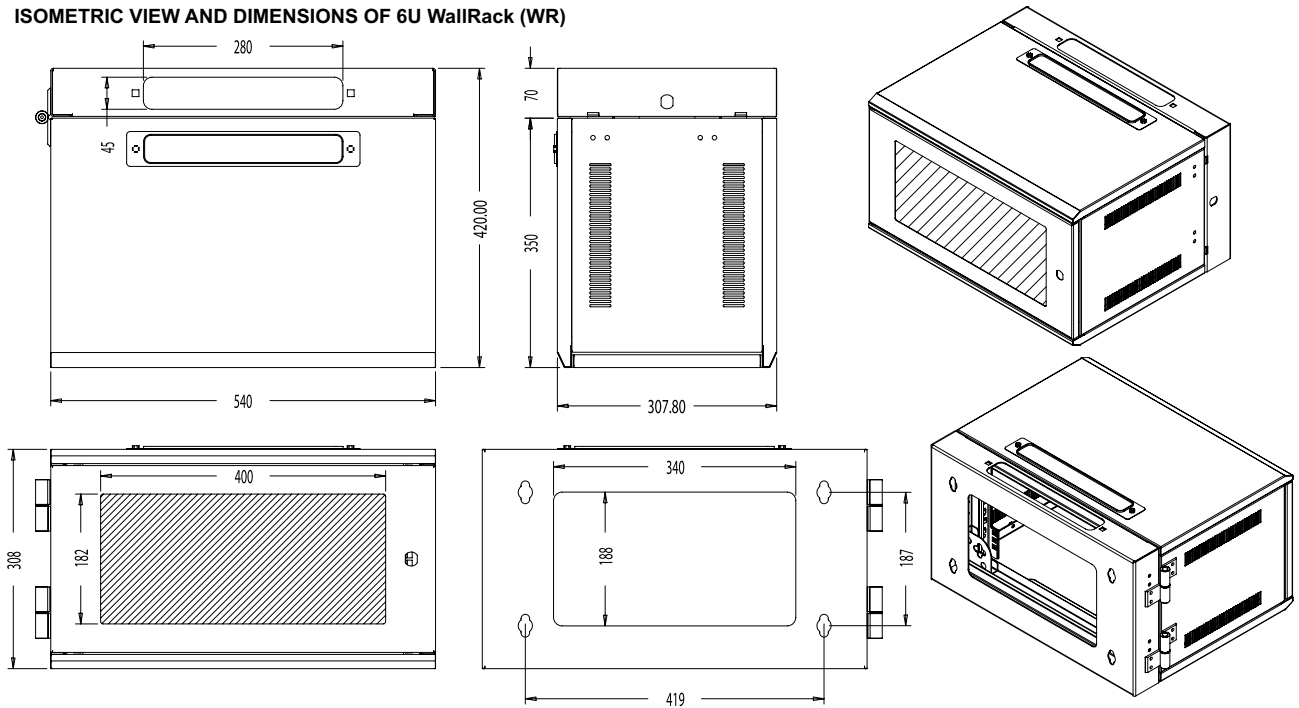
Note: If you require a small server cabinet for a SOHO application, we recommend the standup version with casters of 18 U. It lets you install a small server and some cabling at low cost and with reliability.

A Expanded View

Item	Title
1	BOTTOM COVER
2	FIX FRAME WELDMENT
3	REAR FRAME WELDMENT
4	TOP COVER
5	SIDE PANEL LH
6	SIDE PANEL RH
7	CORNER BRKT.
8	FRAME DOOR ASS'Y
9	CABLE ENTRY COVER PLASTIC



ISOMETRIC VIEW AND DIMENSIONS OF 6U WallRack (WR)



Note.: Drawings, we reserve the right to make changes that enhance its characteristics.

B Specification

Standards Compliance	ANSI/EIA RS-310-D, IEC297-2, DIN41494 Part 1, DIN41494 PART 7, GB/T3047, 2.92
Material (main)	<ul style="list-style-type: none"> • SPCC cold rolled steel • Thickness of Steel: mounting profile: 2.0 mm, others: 1.2 mm
Front Door	Temper glass door, opens up to 180°.
Wall frame	Only for two section models LP-R701XX.
Surface treatment	Surface: degreasing, acid pickling, phosphoric, dip-coat primed.
Surface finish	Electrostatic powder paint, colors Ral9004, Ral7044.
Wall Mounting	4 holes in the internal back frame (LP-R702XX) or on the external back frame (LP-R701XX) for fastening to the wall.
Loading Capacity	Static loading: 60 Kg.
Degree of protection	IP20.
Side panels	Removable.
Accessories	50000 h. MTBF Fan included.
Wire paths	On the top and bottom and can be closed.
Grounding Post	One in the plynth.
Dimensions	Heights from 6 U to 27 U, Depths from 450 mm to 600 mm, width: 600 mm.

C How to Order

LanPro 7000 Series Double Section WallRacks (WR) Cabinets, Ordering Codes.					
Model N°	Descriptions	Capacity (U)	Width (mm)	Depth (mm)	Series
LP-R70105606	Rack, WallRack 7000 Series, Double Section, Width: 600 mm, Box Depth: 450 mm, Wall Frame: 100 mm, Total Depth: 550 mm, Height: 6 U.	6	600	550	7000
LP-R70106606	Rack, WallRack 7000 Series, Double Section, Width: 600 mm, Box Depth: 500 mm, Wall Frame: 100 mm, Total Depth: 600 mm, Height: 6 U.			600	7000
LP-R70105609	Rack, WallRack 7000 Series, Double Section, Width: 600 mm, Box Depth: 450 mm, Wall Frame: 100 mm, Total Depth: 550 mm, Height: 9 U.	9	600	550	7000
LP-R70106609	Rack, WallRack 7000 Series, Double Section, Width: 600 mm, Box Depth: 500 mm, Wall Frame: 100 mm, Total Depth: 600 mm, Height: 9 U.			600	7000
LP-R70105612	Rack, WallRack 7000 Series, Double Section, Width: 600 mm, Box Depth: 450 mm, Wall Frame: 100 mm, Total Depth: 550 mm, Height: 12 U.	12	600	550	7000
LP-R70106612	Rack, WallRack 7000 Series, Double Section, Width: 600 mm, Box Depth: 500 mm, Wall Frame: 100 mm, Total Depth: 600 mm, Height: 12 U.			600	7000
LP-R70105615	Rack, WallRack 7000 Series, Double Section, Width: 600 mm, Box Depth: 450 mm, Wall Frame: 100 mm, Total Depth: 550 mm, Height: 15 U.	15	600	550	7000
LP-R70106615	Rack, WallRack 7000 Series, Double Section, Width: 600 mm, Box Depth: 500 mm, Wall Frame: 100 mm, Total Depth: 600 mm, Height: 15 U.			600	7000
LP-R70105618	Rack, WallRack 7000 Series, Double Section, Width: 600 mm, Box Depth: 450 mm, Wall Frame: 100 mm, Total Depth: 550 mm, Height: 18 U.	18	600	550	7000
LP-R70106618	Rack, WallRack 7000 Series, Double Section, Width: 600 mm, Box Depth: 500 mm, Wall Frame: 100 mm, Total Depth: 600 mm, Height: 18 U.			600	7000
LP-R70105622	Rack, WallRack 7000 Series, Double Section, Width: 600 mm, Box Depth: 450 mm, Wall Frame: 100 mm, Total Depth: 550 mm, Height: 22 U.	22	600	550	7000
LP-R70106622	Rack, WallRack 7000 Series, Double Section, Width: 600 mm, Box Depth: 500 mm, Wall Frame: 100 mm, Total Depth: 600 mm, Height: 22 U.			600	7000
LP-R70105627	Rack, WallRack 7000 Series, Double Section, Width: 600 mm, Box Depth: 450 mm, Wall Frame: 100 mm, Total Depth: 550 mm, Height: 27 U.	27	600	550	7000
LP-R70106627	Rack, WallRack 7000 Series, Double Section, Width: 600 mm, Box Depth: 500 mm, Wall Frame: 100 mm, Total Depth: 600 mm, Height: 27 U.			600	7000

LanPro 7000 Series Single Section WallRacks (WR) Cabinets, Ordering Codes.					
Model N°	Descriptions	Capacity (U)	Width (mm)	Depth (mm)	Series
LP-R70204606	Rack, WallRack 7000 Series, Single Section, Width: 600 mm, Box Depth: 450 mm, Height: 6 U.	6	600	450	7000
LP-R70206606	Rack, WallRack 7000 Series, Single Section, Width: 600 mm, Box Depth: 600 mm, Height: 6 U.			600	7000
LP-R70204609	Rack, WallRack 7000 Series, Single Section, Width: 600 mm, Box Depth: 450 mm, Height: 9 U.	9	600	450	7000
LP-R70206609	Rack, WallRack 7000 Series, Single Section, Width: 600 mm, Box Depth: 600 mm, Height: 9 U.			600	7000
LP-R70204612	Rack, WallRack 7000 Series, Single Section, Width: 600 mm, Box Depth: 450 mm, Height: 12 U.	12	600	450	7000
LP-R70206612	Rack, WallRack 7000 Series, Single Section, Width: 600 mm, Box Depth: 600 mm, Height: 12 U.			600	7000
LP-R70204615	Rack, WallRack 7000 Series, Single Section, Width: 600 mm, Box Depth: 450 mm, Height: 15 U.	15	600	450	7000
LP-R70206615	Rack, WallRack 7000 Series, Single Section, Width: 600 mm, Box Depth: 600 mm, Height: 15 U.			600	7000
LP-R70204618	Rack, WallRack 7000 Series, Single Section, Width: 600 mm, Box Depth: 450 mm, Height: 18 U.	18	600	450	7000
LP-R70206618	Rack, WallRack 7000 Series, Single Section, Width: 600 mm, Box Depth: 600 mm, Height: 18 U.			600	7000
LP-R70204622	Rack, WallRack 7000 Series, Single Section, Width: 600 mm, Box Depth: 450 mm, Height: 22 U.	22	600	450	7000
LP-R70206622	Rack, WallRack 7000 Series, Single Section, Width: 600 mm, Box Depth: 600 mm, Height: 22 U.			600	7000
LP-R70204627	Rack, WallRack 7000 Series, Single Section, Width: 600 mm, Box Depth: 450 mm, Height: 27 U.	27	600	450	7000
LP-R70206627	Rack, WallRack 7000 Series, Single Section, Width: 600 mm, Box Depth: 600 mm, Height: 27 U.			600	7000