

LP-R806XX 8000 Series NetworkRack Cabinets.

LPR806XX_PFD_ENB01W

Features

- Open architecture supports wide range of equipment.
- Flexibility for mixed equipment installations.
- Lockable doors and panels for system integrity.
- Numerous options and accessories to suit your specific configuration.
- Overall size of 800 mm wide by up to 1000 mm deep
- Space saving flat pack shipping.
- Easily assembled on site.
- Lockable door and side panels for system security.
- Fully adjustable vertical mounting rails.
- U numbers printed on rails.
- Static Load Rating: 1000 kg.
- Heavy Duty Caster rated to 250 kg. per caster.
- Heights: 27 U, 39 U, 42 U, and 45 U.
- Depths: 580 mm, 800 mm, 900 mm, 1000 mm.
- Standard: Conforms to EIA-310D Type A, IEC-60297-2.
- Material: High grade cold rolled steel. All materials comply to RoHS standard.
- Finish: 5 stage iron phosphate pretreatment followed by tough scratch resistant powder coat paint.
- Color: Low Gloss Black.



LP-R806XX 8000 Series NetworkRack Cabinets.

The 8000 Series NetworkRack Cabinet namely LP-R806XX of LanPro has been designed for Network and Cabling equipment.

The characteristics of a wide rack and cable management features enable our customers the configuration of a large variety of equipment, including Routers, Switches, Bridges and other equipment able to be mounted on rack or shelves.

The Series 8000 NetworkRack versatility is an excellent solution for mixed type installations. Maximum depth is limited to 1000 mm.

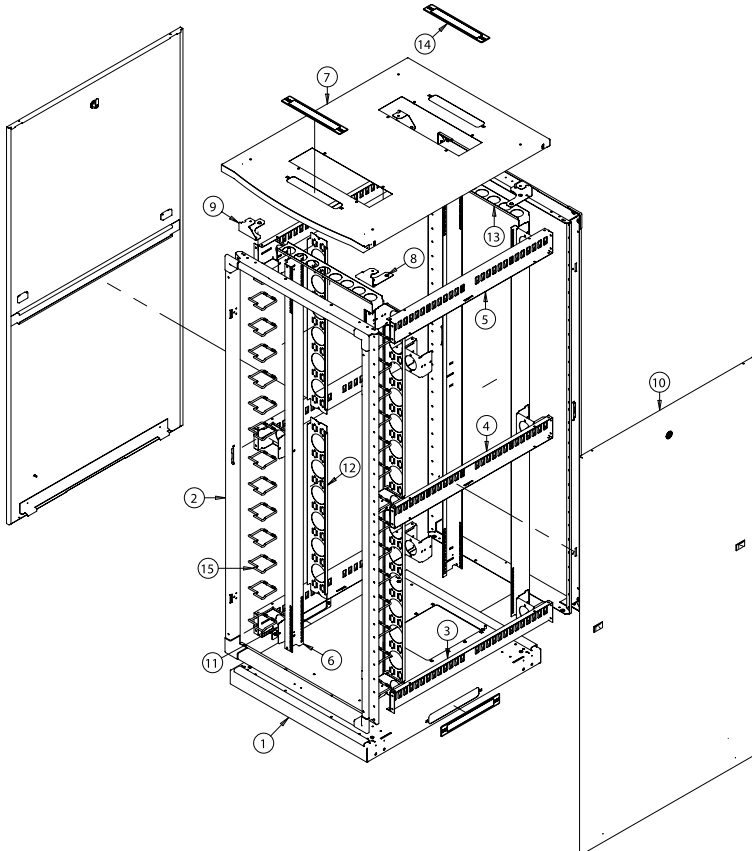
8000 Series have a large variety of doors and shelves. Some shelves are ventilated, some are of high load capacity, some are telescopic, and is capable of carrying up to 1000 Kg of dead weight.

8000 Series is a must buy for the most demanding world wide customers.

A Specifications

8000 Series, Model No.	LP-R806XX
Standards Compliance	ANSI/EIA RS-310-D, IEC-60297-2
Material (main)	<ul style="list-style-type: none"> • High grade rolled steel • Thickness of Steel: mounting profile: 2.0 mm, others: 1.2mm • All materials comply to RoHS standard
Cable entry	Adjustable
Surface treatment	Surface: degreasing, acid pickling, phosphoric, dip-coat primed
Surface finish	Static paint powder coat, Color: Low gloss Black
Loading Capacity	Static loading: 1000 Kg
Degree of protection	IP20
Castors and feet	Optional
Side panels	Removable and lockable
Ventilation Fans	Optional
Doors	Optional
Accessories	Optional, Many available from LanPro
Wire paths	On the top and bottom and can be closed
Dimensions	Heights from 27 U, 39 U, 42 U, and 45 U, Depths from 600 mm, 800 mm, 900 mm, 1000 mm, width: 800 mm

B Expanded View



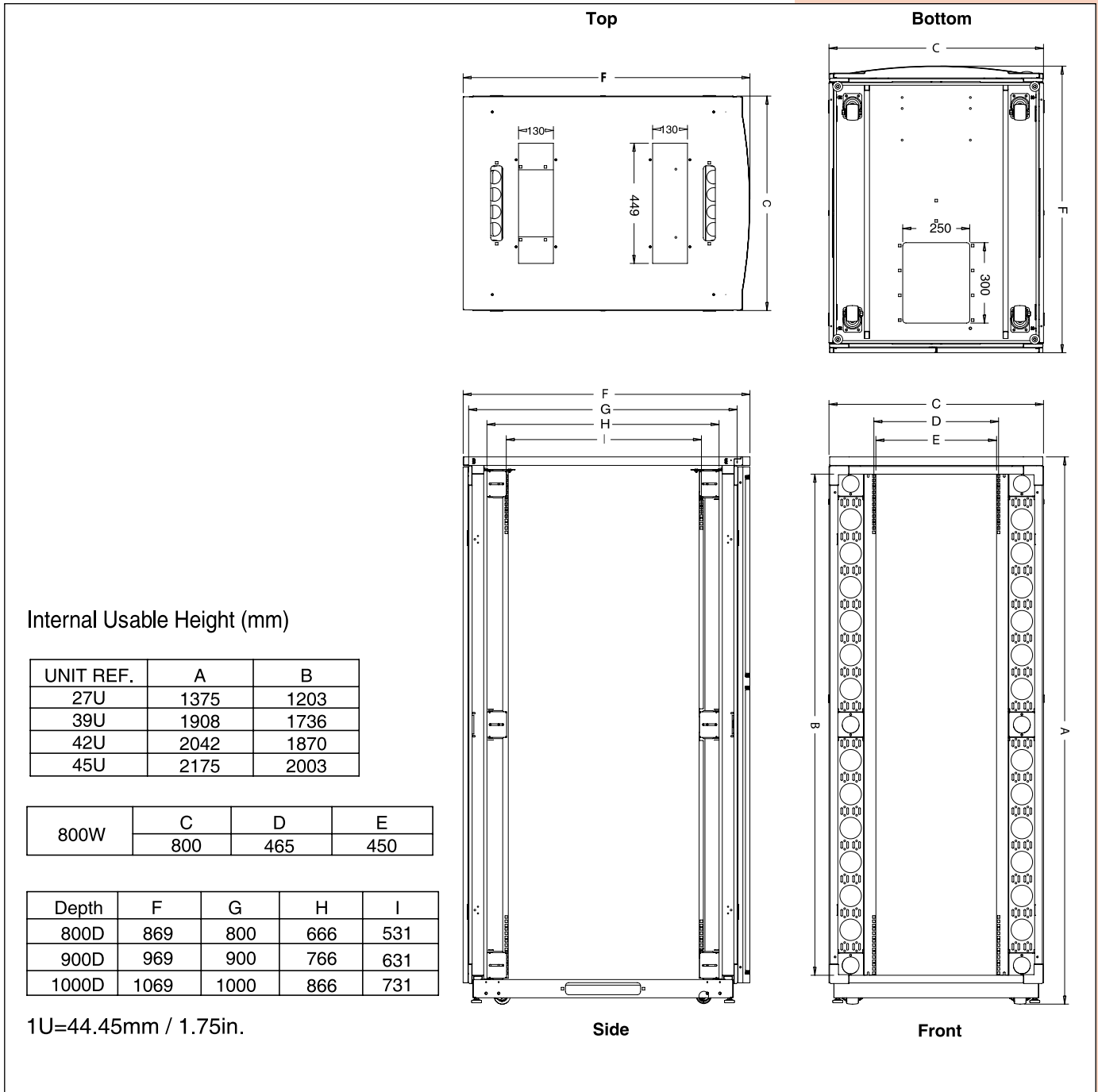
C List of Parts (Basic Cabinet)

Description		
Item Number	Title	Quantity
1	Plinth Assembly	1
2	Front-Rear Frame Assembly	2
3	Horizontal Mtg. (Bottom)	2
4	Horizontal Mtg. (Mid)	2
5	Horizontal Mtg. (Top)	2
6	Vertical MTG. Channel	4
7	Vented Top panel curve assembly	1
8	Top Corner Brkt. (R)	2
9	Top Corner Brkt. (L)	2
10	Side panel assembly	2
11	VMC. Adaptor Brkt. (19 Inch)	12
12	Vertical cable rail	4
13	VMC. Reinf. Brkt	2
14	Cable Entry Cap (Plastic)	5
*15	Cable Hoop 3.25 (1 U, 2 U).	28

D Recommended Options

- 1.- Casters - ease of mobility and final positioning.
- 2.- Leveling Feet - Stabilize and level the cabinet.
- 3.- Filler Panel/Fan Tray - close Top panel openings as per your needs.
- 4.- Doors - please see doors section.

E Dimensional Drawings



F How to order

LP-R80606827	8000 Series Cabinet NetworkRack, Depth: 600 mm, Width: 800 mm, Height: 27 U.
LP-R80608827	8000 Series Cabinet NetworkRack, Depth: 800 mm, Width: 800 mm, Height: 27 U.
LP-R80609827	8000 Series Cabinet NetworkRack, Depth: 900 mm, Width: 800 mm, Height: 27 U.
LP-R80610827	8000 Series Cabinet NetworkRack, Depth: 1000 mm, Width: 800 mm, Height: 27 U.
LP-R80606839	8000 Series Cabinet NetworkRack, Depth: 600 mm, Width: 800 mm, Height: 39 U.
LP-R80608839	8000 Series Cabinet NetworkRack, Depth: 800 mm, Width: 800 mm, Height: 39 U.
LP-R80609839	8000 Series Cabinet NetworkRack, Depth: 900 mm, Width: 800 mm, Height: 39 U.
LP-R80610839	8000 Series Cabinet NetworkRack, Depth: 1000 mm, Width: 800 mm, Height: 39 U.
LP-R80606842	8000 Series Cabinet NetworkRack, Depth: 600 mm, Width: 800 mm, Height: 42 U.
LP-R80608842	8000 Series Cabinet NetworkRack, Depth: 800 mm, Width: 800 mm, Height: 42 U.
LP-R80609842	8000 Series Cabinet NetworkRack, Depth: 900 mm, Width: 800 mm, Height: 42 U.
LP-R80610842	8000 Series Cabinet NetworkRack, Depth: 1000 mm, Width: 800 mm, Height: 42 U.
LP-R80606845	8000 Series Cabinet NetworkRack, Depth: 600 mm, Width: 800 mm, Height: 45 U.
LP-R80608845	8000 Series Cabinet NetworkRack, Depth: 800 mm, Width: 800 mm, Height: 45 U.
LP-R80609845	8000 Series Cabinet NetworkRack, Depth: 900 mm, Width: 800 mm, Height: 45 U.
LP-R80610845	8000 Series Cabinet NetworkRack, Depth: 1000 mm, Width: 800 mm, Height: 45 U.

LanPro is continuously improving its products and reserves the right to change specifications and availability without prior notice.