

1 2 3 4 5 6

A

A

B

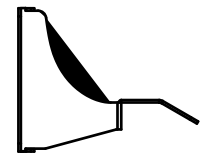
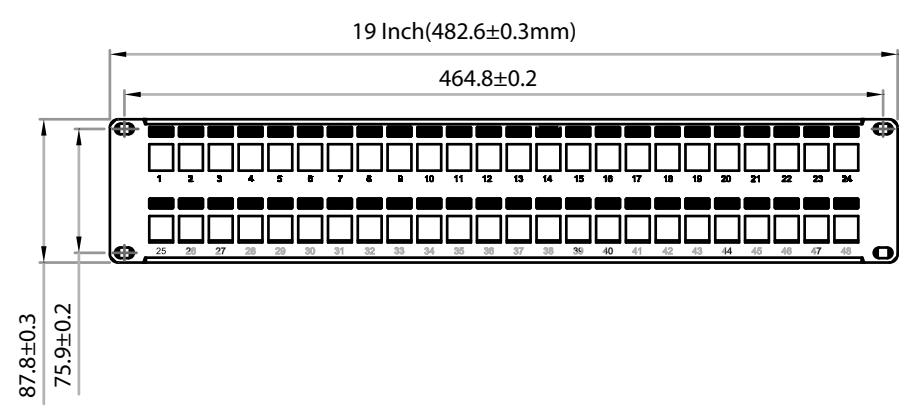
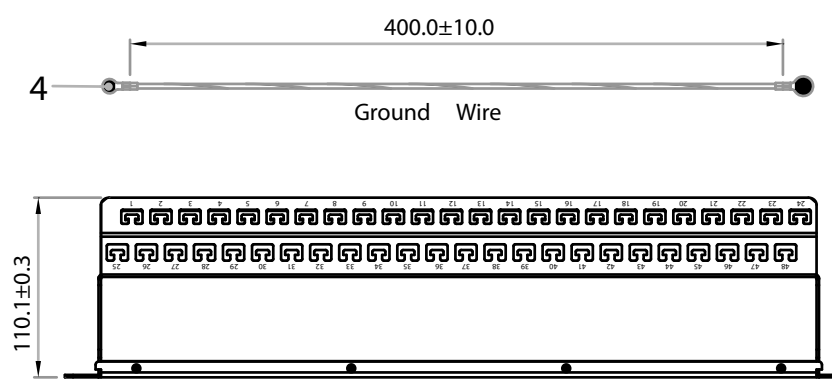
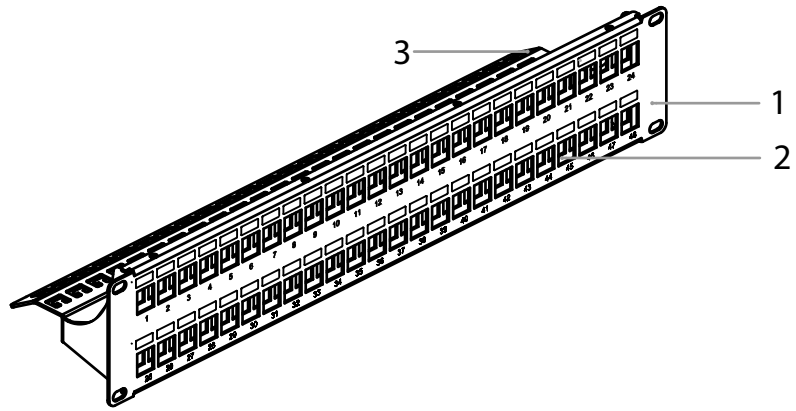
B

C


C

D

D



SCALE 1/5

GENERAL TOLERANCE OF DIMENSIONS X.XXX ±0.005 X.XX ±0.05 X.X ±0.1	DRAWING	11 NOV 2016	YL	 LANPRO <i>Connect-and-Forget</i>	
	CHECK	11 NOV 2016	KM		
	APPROVAL	11 NOV 2016	GR		
	SCALE		1/5 (A4)	UNIT	mm
DRAWING NO.		LPiP48FS_DD_SPB01W		DES.: Patch panel IMC® de la Serie 8000 no cargados, blindados, de compatibilidad modular, con 48 puertos.	
DRAWING CLASSIFICATION		S	SHEET	1 OF 1	A1

1 2 3 4 5 6 10cm