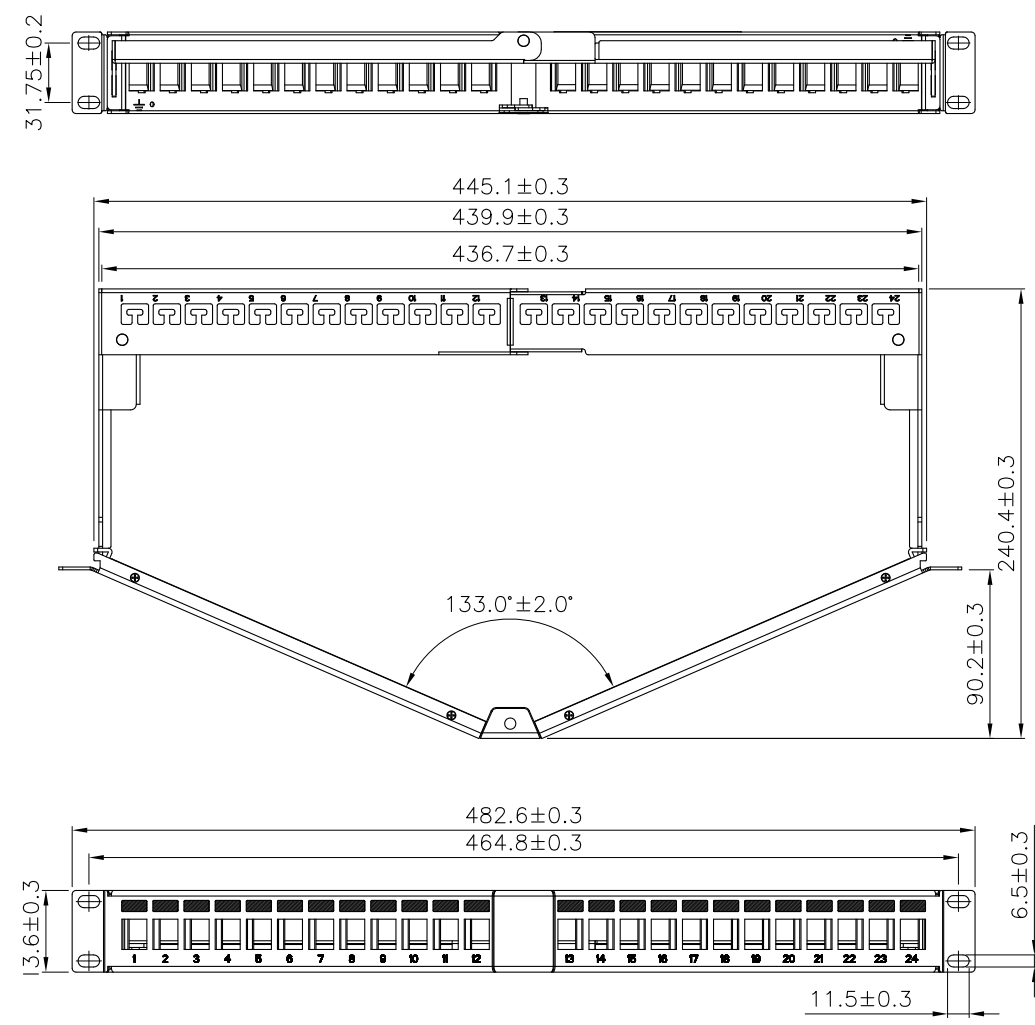
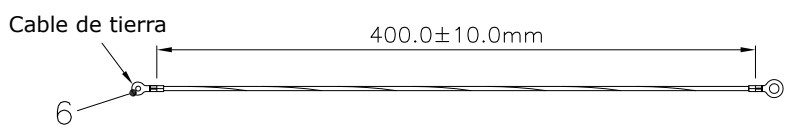
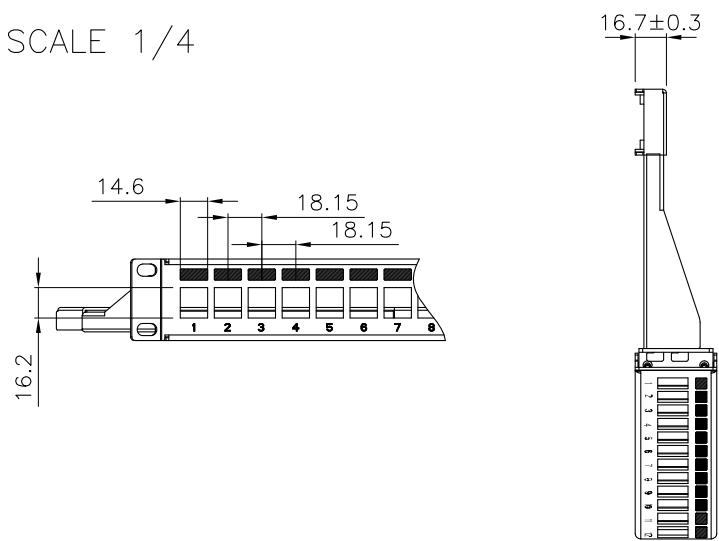


SCALE 1/4



GENERAL TOLERANCE OF DIMENSIONS X.XXX ±0.005 X.XX ±0.05 X.X ±0.1	DRAWING	16.DEC.2004	YL	LANPRO Connect-and-Forget	
	CHECK	16.DEC.2004	YL		
	APPROVAL	16.DEC.2004	KM		
	DATE		NAME		ITEM NO.: LP-iP24FS1
SCALE	1/5 (A4)	UNIT	mm	DES.: 24P FS PATCH PANEL ANGULAR	
DRAWING NO. LPiP24FS1_DD_SPB01W		DRAWING CLASSIFICATION			S SHEET 1 OF 1