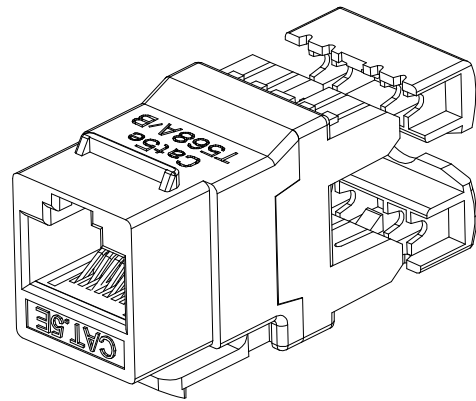
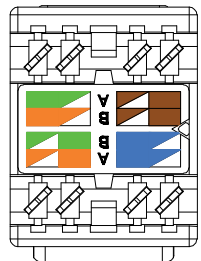
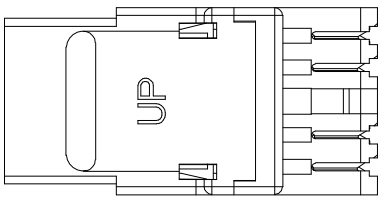
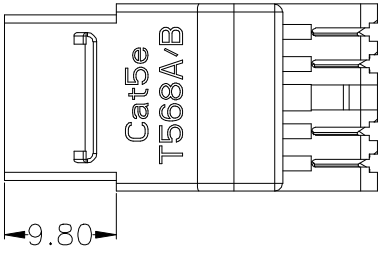
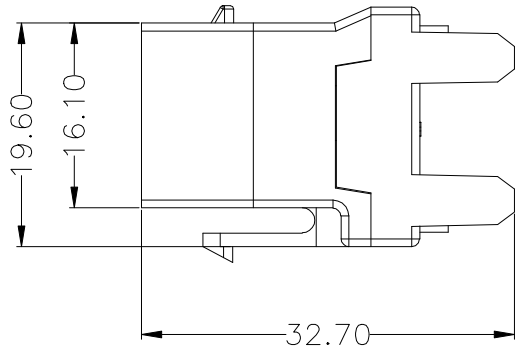
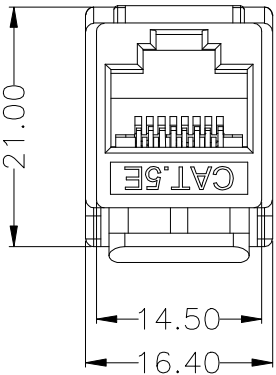


REVISION RECORD				
REV	ECO	DESCRIPTION	DRFT	CHKD



DETACHED LISTS	← MM (INCH) →	DFTO BF	DATE 2007/08/07
	TOLERANCES EXCEPT AS NOTED	CHKD KC	DATE
		MFO GR	DATE
		APPVL	DATE
		REV	DATE
		MATERIAL:	
	PART NO.	LPIAKCEUSCC_DD_SPB01W	
	DRAWING NO.		
	THIRD ANGLE PROJECTION		



TITLE  
LP-iAKCEUSCC\_DD\_SPB01W

8                      7                      6                      5                      4                      3                      2                      1

H  
G  
F  
E  
D  
C  
B  
A