

1 2 3 4 5 6

A

A

B

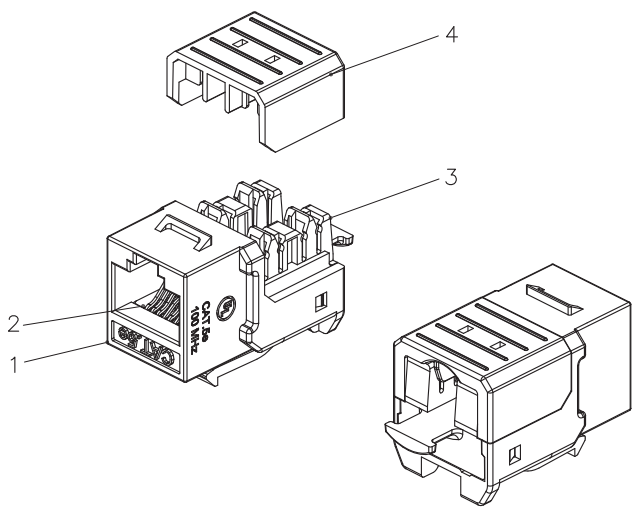
B

C

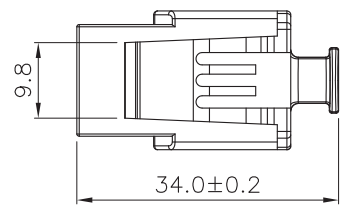
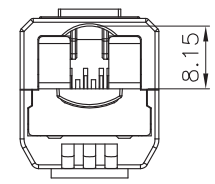
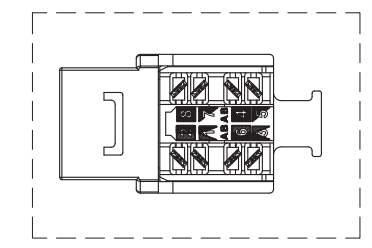
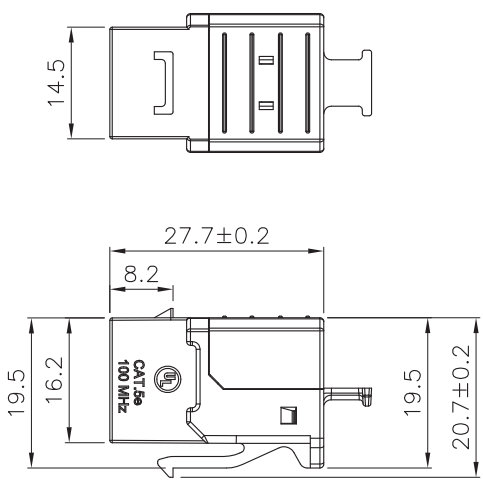
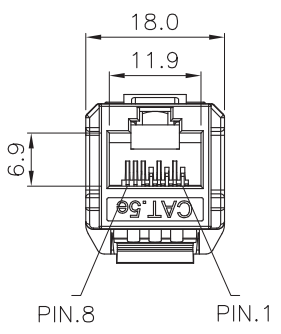
C


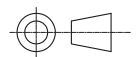

D

D



SCALE 1/1



GENERAL TOLERANCE OF DIMENSIONS X.XXX ±0.005 X.XX ±0.05 X.X ±0.1	DRAWING	02.APR.2014	YL	 LANPRO How Information Moves...
	CHECK	02.APR.2014	KC	
	APPROVAL	02.APR.2014	GR	
			DATE	NAME
SCALE 1/1 (A4)		UNIT	mm	DES.: JACKS CAT5e 8P8C RJ45 MODELO X-CLASS SIN BLINDAR
		DRAWING NO. LPXCEPUSXX_DD_SPB01W		1 OF 1 
DRAWING CLASSIFICATION		S	SHEET	

1 2 0 3 4 10cm 5 6