

1

2

3

4

5

6

A

A

B

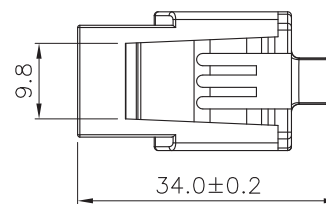
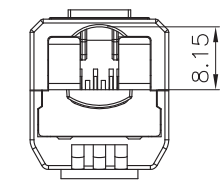
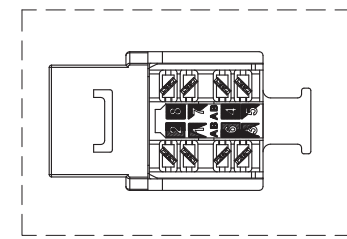
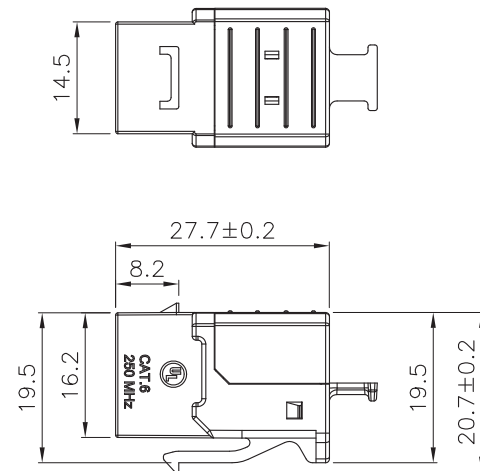
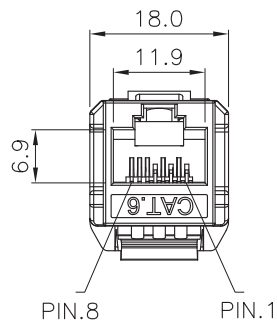
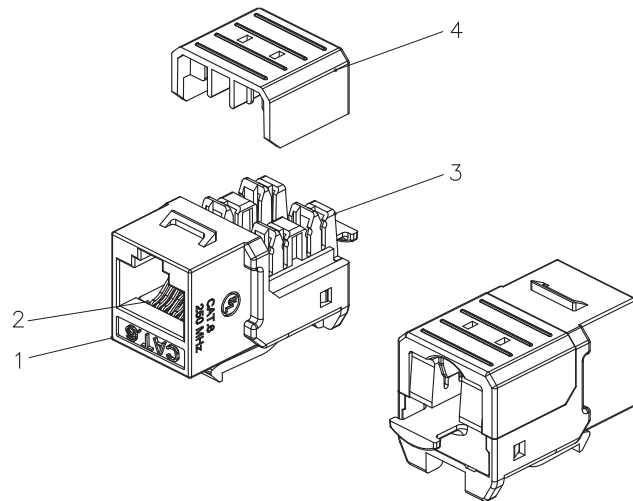
B

C



C

D

D



SCALE 1/1

GENERAL TOLERANCE OF DIMENSIONS X.XXX ±0.005 X.XX ±0.05 X.X ±0.1	DRAWING	02.APR.2014	YL	 LANPRO How Information Moves...
	CHECK	02.APR.2014	KC	
	APPROVAL	02.APR.2014	GR	
	DATE		NAME	
SCALE	1/1 (A4)	UNIT	mm	DES.: JACKS CAT6 8P8C RJ45 MODELO X-CLASS SIN BLINDAR
DRAWING NO.		LPXC6PUSXX_DD_SPBOW		
DRAWING CLASSIFICATION		S	SHEET	1 OF 1
				

1

2

0

3

4

10cm

5

6