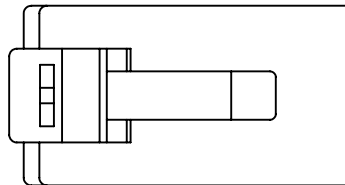
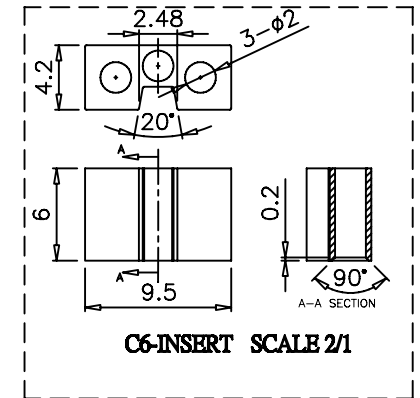
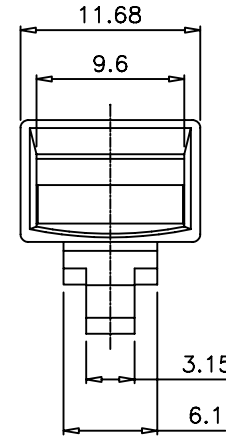
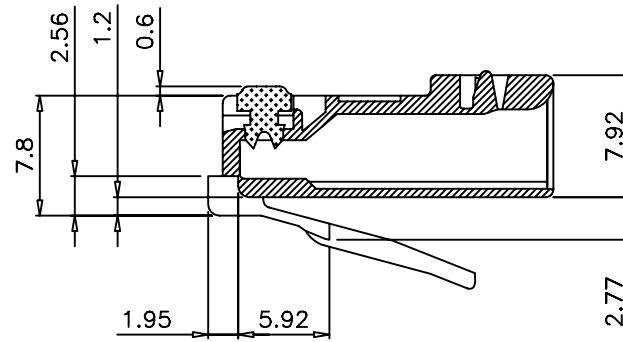
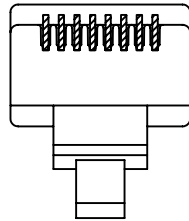
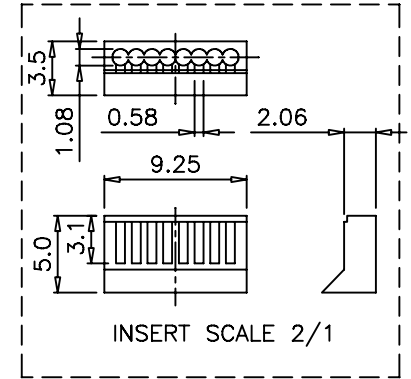
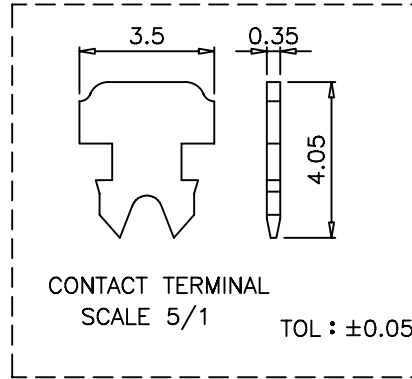
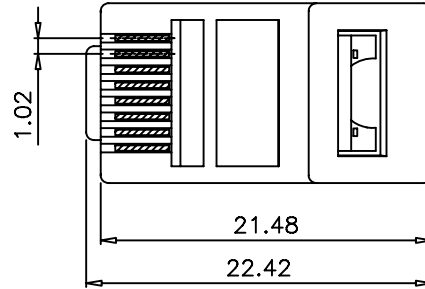


SCALE 2/1



GENERAL TOLERANCE OF DIMENSIONS ±0.1	DRAWING	23.JUN.2005	YL	<p>How Information Moves...</p>
	CHECK	23.JUN.2005	KC	
	APPROVAL	23.JUN.2005	GR	
	DATE	NAME	ITEM NO.: LP-RJ458P8CC6US3	
SCALE	2/1 (A4)	UNIT	mm	DES.: Plug RJ45 8P8C CAT 6 3 partes sin blindar 2 puntas
		DRAWING NO.	LPRJ458P8CC6US3_DD_SPB01W	
		DRAWING CLASSIFICATION	S	SHEET 1 OF 1