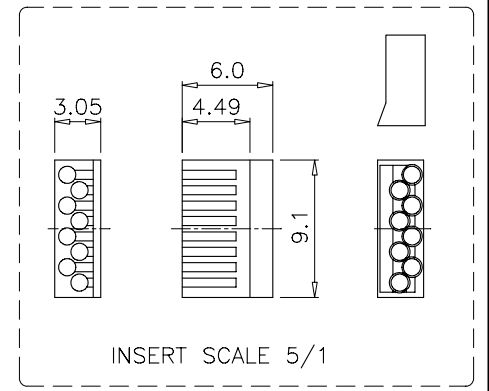
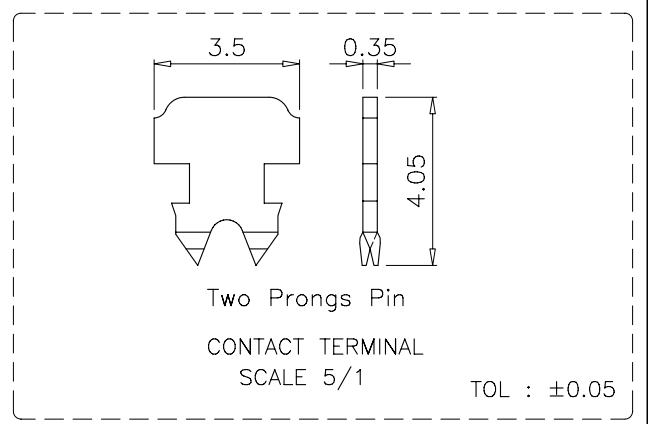
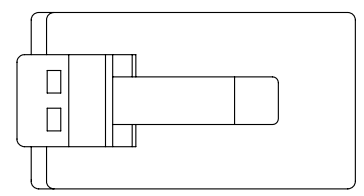
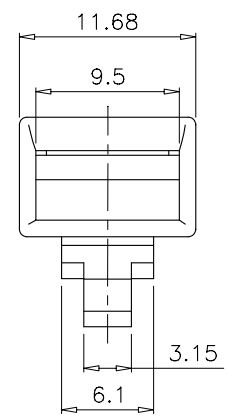
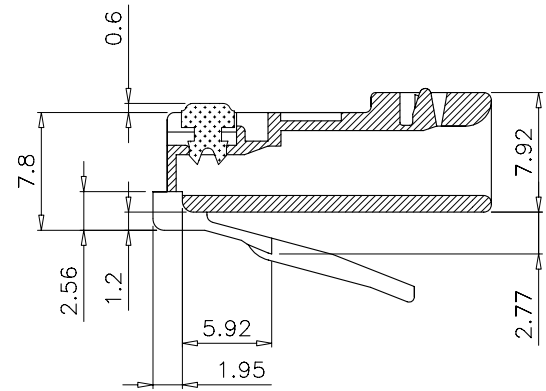
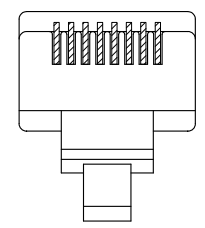
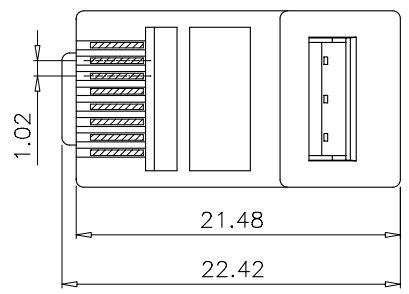


SCALE 2/1



GENERAL TOLERANCE OF DIMENSIONS ±0.1	DRAWING	1.NOV.2011	YL	<p><b>LANPRO</b> How Information Moves...</p>
	CHECK	1.NOV.2011	KC	
	APPROVAL	1.NOV.2011	GR	
		DATE	NAME	ITEM NO.: LP-RJ458P8CC6US21
SCALE	2/1 (A4)	UNIT	mm	DES.: 8P8C CAT6 PLUG DE DOS PARTES SIN BLINDAR Y DOS PUNTAS DESCENTRADAS
		DRAWING NO. LPRJ458P8CC6US21_DD_SPB01W		
DRAWING CLASSIFICATION		S	SHEET 1 OF 1	