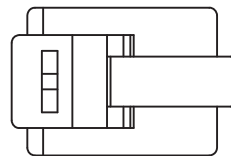
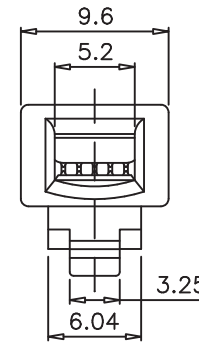
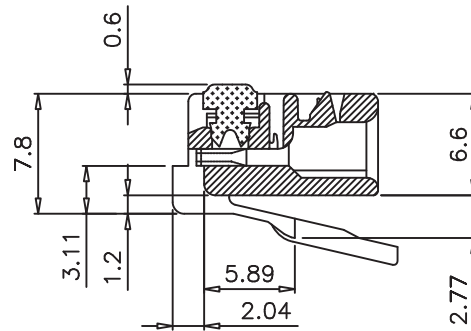
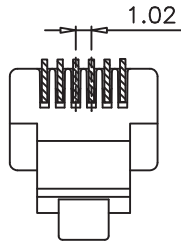
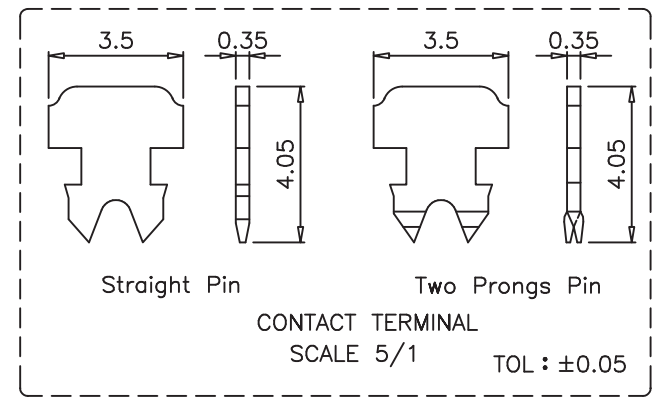
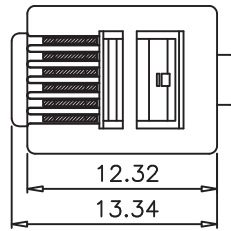

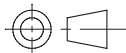



SCALE 2/1



GENERAL TOLERANCE OF DIMENSIONS ±0.1	DRAWING	20.JUN.2005	KC	
	CHECK	20.JUN.	KM	
	APPROVAL		GR	
		DATE	NAME	ITEM NO.: LP-RJ256P6CTLUS
SCALE	2/1 (A4)	UNIT	mm	DES.: Sin blindaje 6P6C
		DRAWING NO. LPRJ256P6CTLUS_DD_SPB01W		
DRAWING CLASSIFICATION		S	SHEET 1 OF 1	