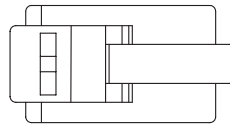
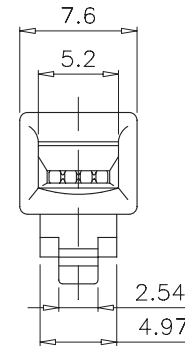
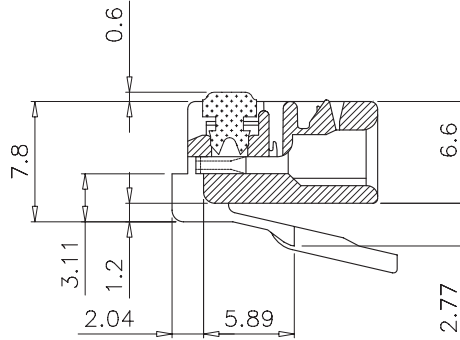
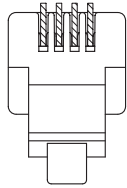
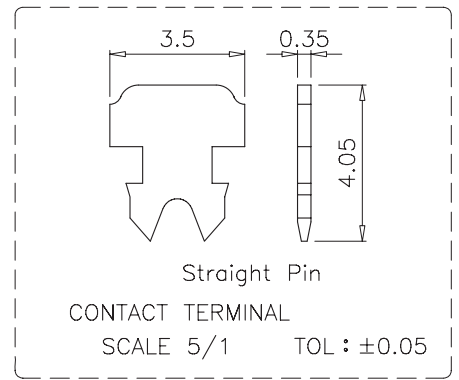
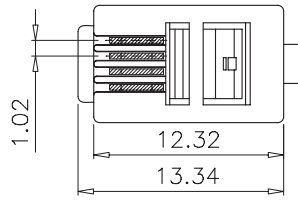

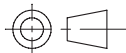



SCALE 2/1



GENERAL TOLERANCE OF DIMENSIONS ±0.1	DRAWING	20.JUN.2005	KC	
	CHECK	20.JUN.2005	KM	
	APPROVAL	20.JUN.2007	GR	
		DATE	NAME	ITEM NO.: LP-RJ094P4CTLUS
SCALE	2/1 (A4)	UNIT	mm	DES.: Sin blindaje 4P4C
		DRAWING NO. LPRJ094P4CTLUS_DD_SPB01W		
DRAWING CLASSIFICATION		S	SHEET 1 OF 1	