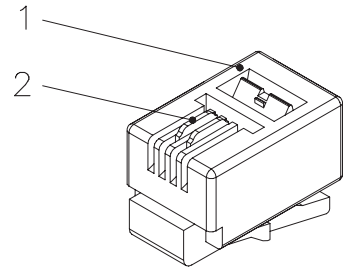
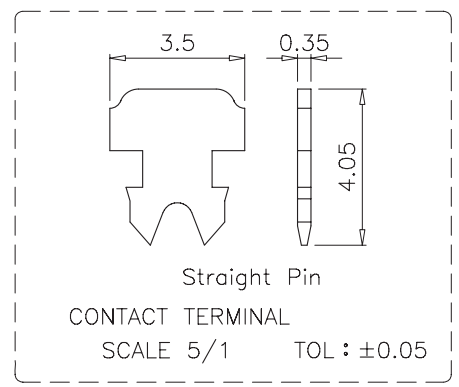
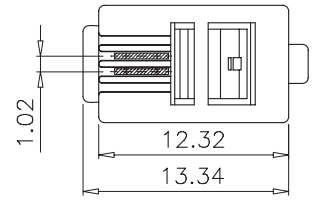


1 2 3 4 5 6

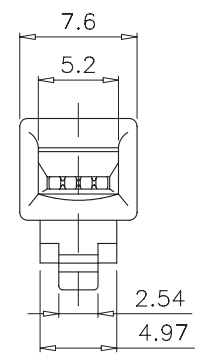
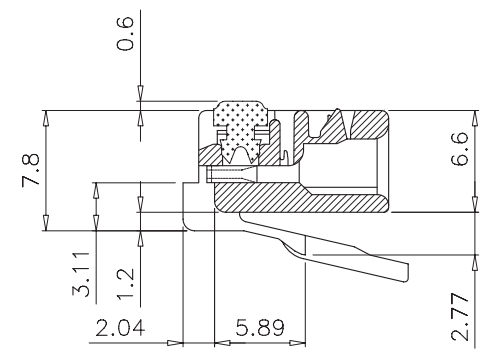
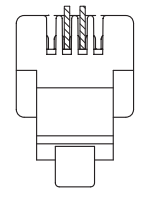
A



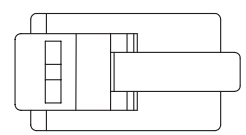
SCALE 2/1




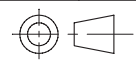
B



C



D

GENERAL TOLERANCE OF DIMENSIONS ±0.1	DRAWING	20.JUN.2005	KC	
	CHECK	20.JUN.	KM	
	APPROVAL		GR	
	DATE		NAME	ITEM NO.: LP-RJ094P2CTLUS
SCALE	2/1 (A4)	UNIT	mm	DES.: Sin blindaje 4P2C
	DRAWING NO.		LPRJ094P2CTLUS_DD_SPB01W	
	DRAWING CLASSIFICATION		S	SHEET 1 OF 1

D

1 2 3 4 5 6

10cm

