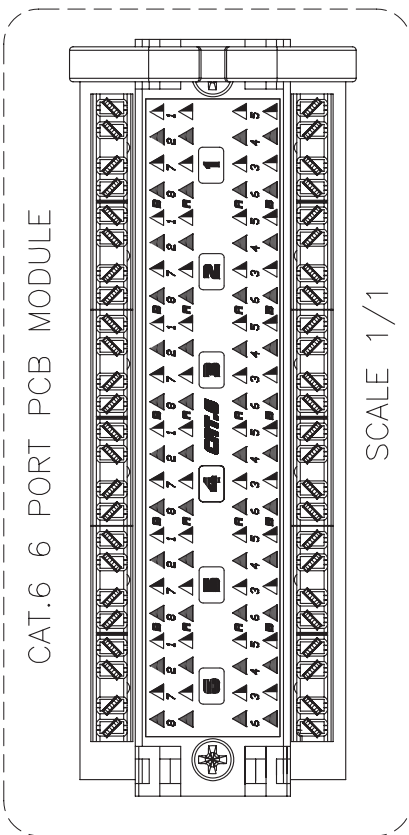
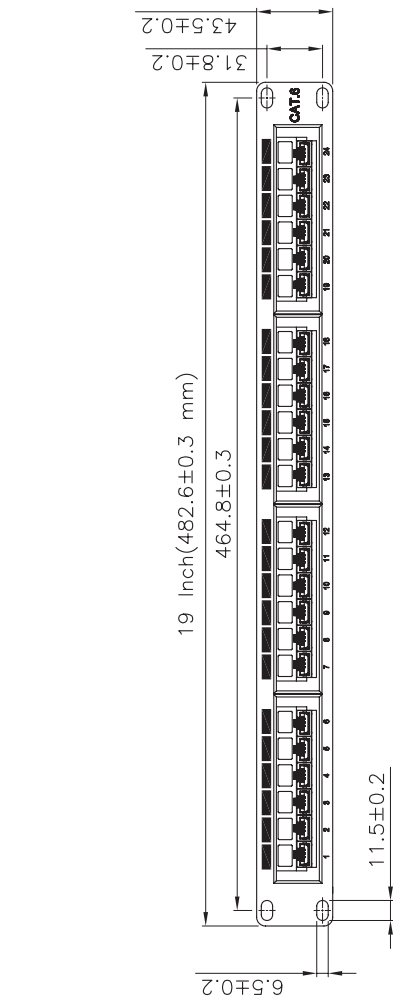
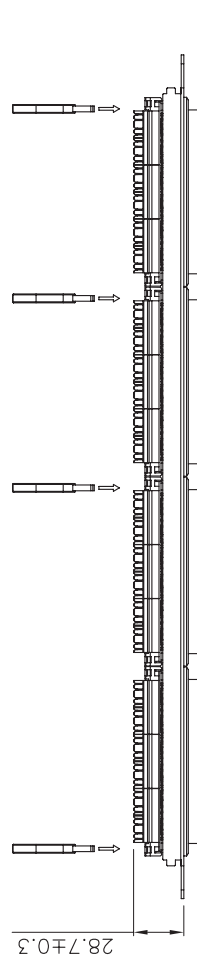
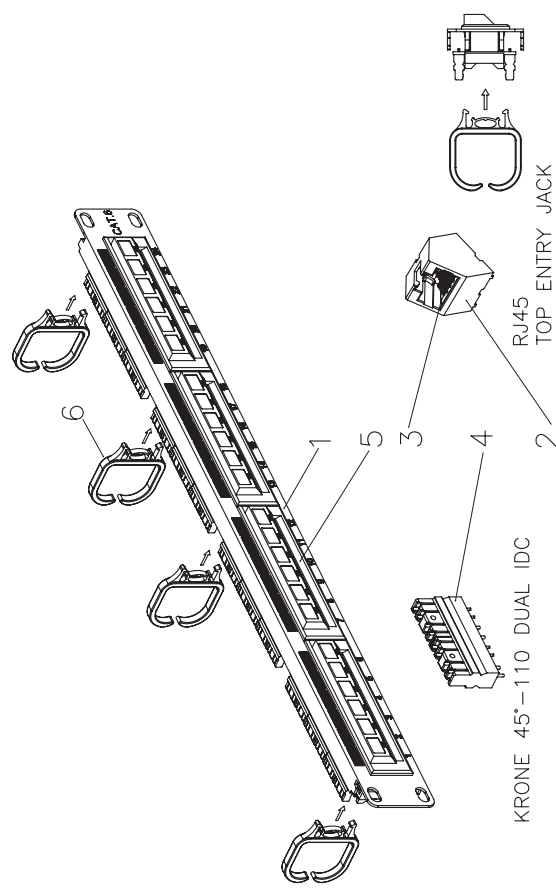


1 2 3 4 5 6



GENERAL TOLERANCE OF DIMENSIONS X.XXX ±0.005 X.XX ±0.05 X.X ±0.1	DRAWING	25.OCT.2010	KC	
	CHECK	25.OCT.2010	KM	
	APPROVAL	25.OCT.2010	GR	
SCALE	1/4 (A4)	UNIT	mm	
DRAWING NO. LPP8C62445USD_DD_SP801W	DATE	NAME		
	ITEM NO.: LP-P8C62445USD		DES.: Patch Panel no blindado CAT 6	
DRAWING CLASSIFICATION S SHEET 1 OF 1	DRAWING NO. LPP8C62445USD_DD_SP801W		DRAWING CLASSIFICATION S SHEET 1 OF 1	