

1 2 3 4 5 6

A

A

B

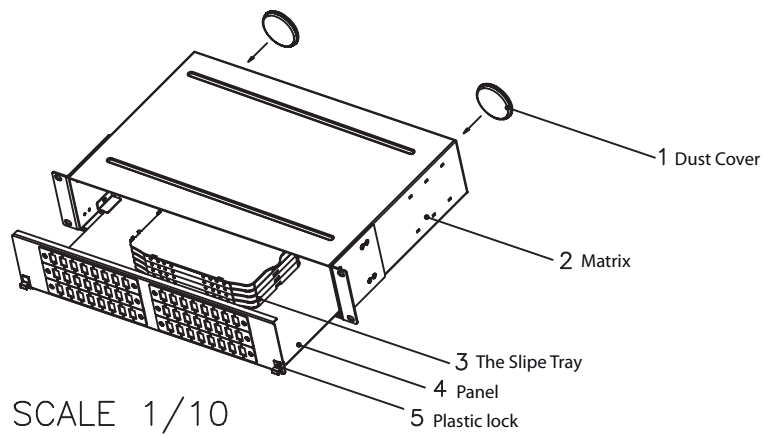
B

C

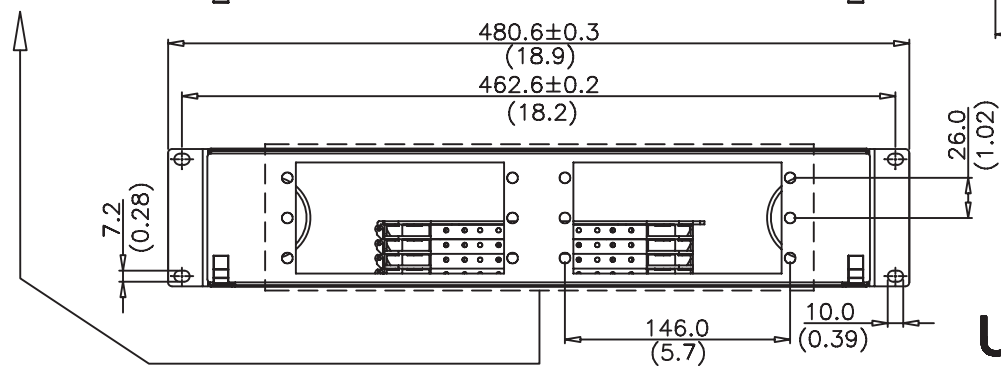
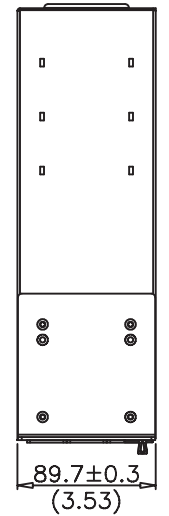
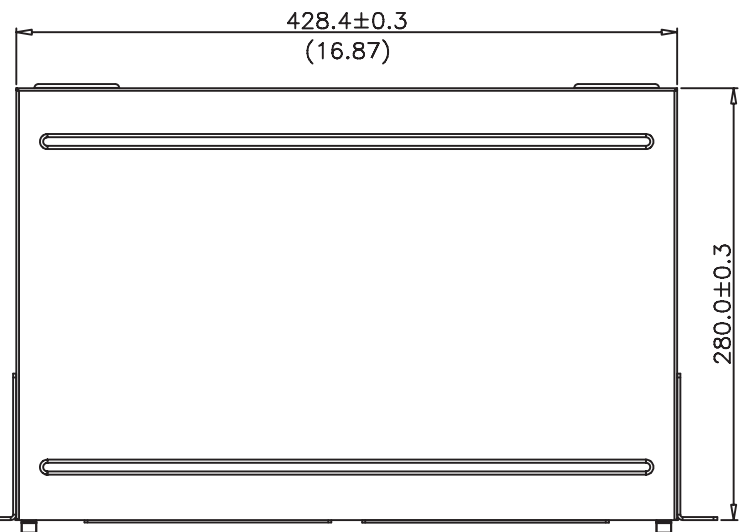
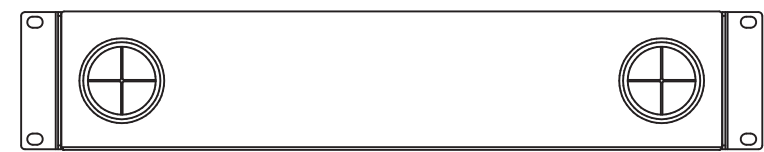
C

D

D



SCALE 1/10



Unit: **mm**  
(in)

GENERAL TOLERANCE OF DIMENSIONS  
 x.xxx ±0.005  
 x.xx ±0.05  
 x.x ±0.1

DRAWING	30.APR.2007	YL
CHECK	30.APR.2007	KC
APPROVAL	30.APR.2007	GR

**LANPRO**  
 How Information Moves...

SCALE	1/5 (A4)	UNIT	mm	ITEM NO.:	LP-F184DBKYY
DRAWING NO.		LPF184DBKYY_DD_SPB01W		DES.: CHASIS DE 48 PUERTOS NO CARGADO TIPO ODF	
DRAWING CLASSIFICATION		S	SHEET	1 OF 1	A2

1 2 3 4 5 6 10cm