

1 2 3 4 5 6

A

A

B

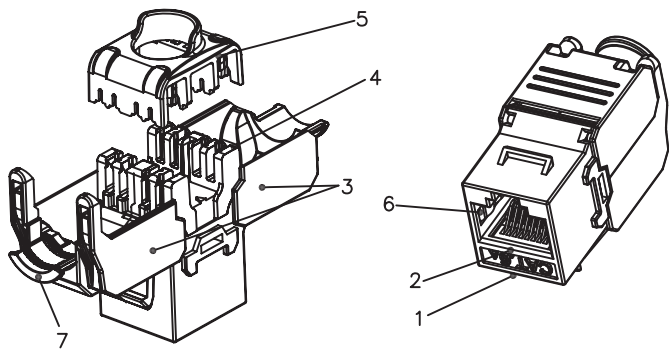
B

C

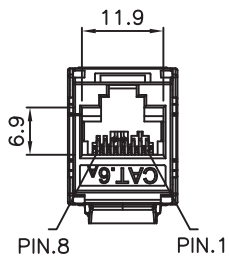
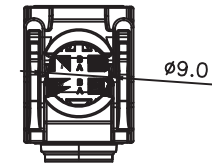
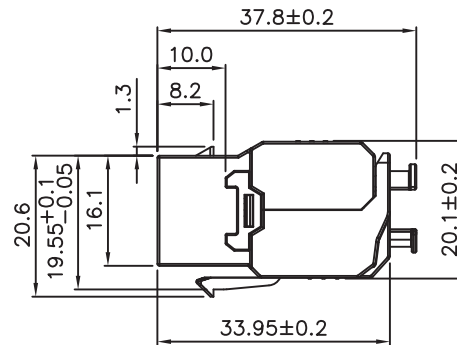
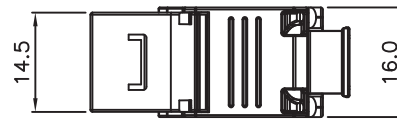
C



D

D



SCALE 1/1



GENERAL TOLERANCE OF DIMENSIONS X.XXX ±0.005 X.XX ±0.05 X.X ±0.1	DRAWING	01.DEC.2010	KC	 THE NATURAL CHOICE IN NETWORKING
	CHECK	01.DEC.2010	KM	
	APPROVAL	01.DEC.2010	GR	
		DATE	NAME	ITEM NO.: LP-8CABFSNP
	SCALE 1/1 (A4)	UNIT mm	DES.: Serie Performax®, conectores modulares hembra (Jacks) completamente blindados	
	DRAWING NO. LP8CA_DD_SPB01W		 DRAWING CLASSIFICATION S SHEET 1 OF 1	
	DRAWING CLASSIFICATION S			

1 2 3 4 5 6

10cm

6