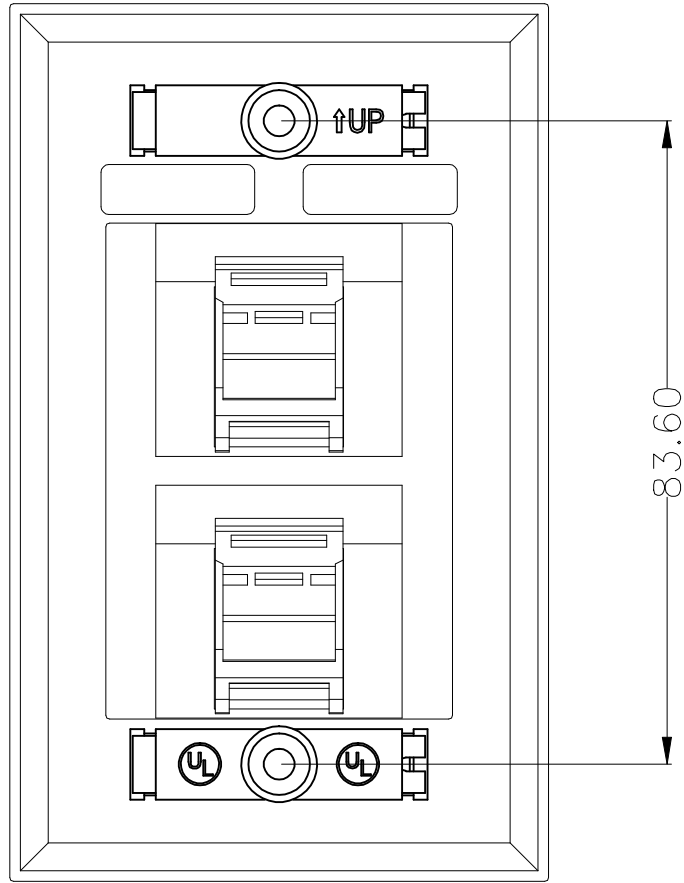
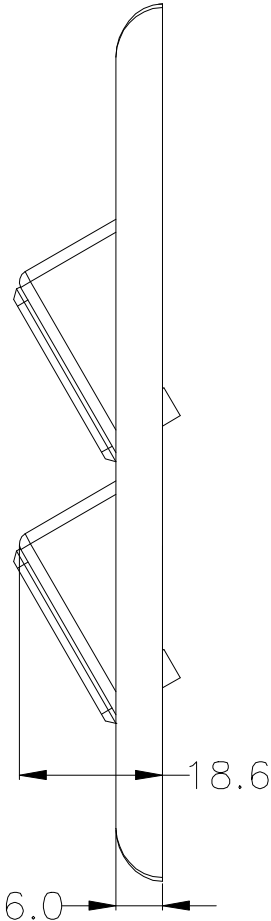
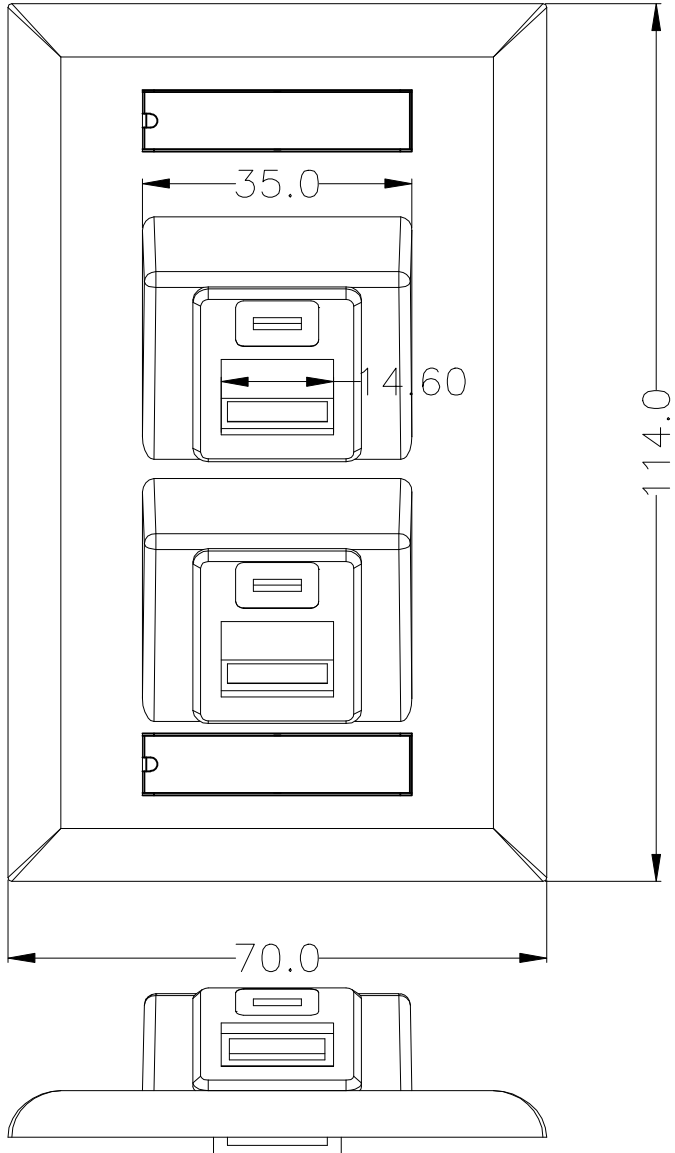


REVISION RECORD				
REV	ECO	DESCRIPTION	DRFT	CHKD



DETACHED LISTS	← MM (INCH) →		DFTO	YL	DATE 2010/02/27
	TOLERANCES EXCEPT AS NOTED		CHKD	KC	DATE 2010/02/27
	0.00-20.00	±0.10	MFO		DATE
	20.00-50.00	±0.15	APPVL	GR	DATE 2010/02/27
	50.00-100.00	±0.20	REV	GR	DATE 2010/02/27
	100.00-	±0.25	MATERIAL:		
	angle	±30'	PART NO.		LP-3317V2YY1
			DRAWING NO.		LP3317V2YY1_DD_SPB01W
			TITLE		
			Dos puertos en ángulo Faceplate Vertical		



TITLE
Dos puertos en ángulo Faceplate Vertical

8 7 6 5 4 3 2 1

H
G
F
E
D
C
B
A