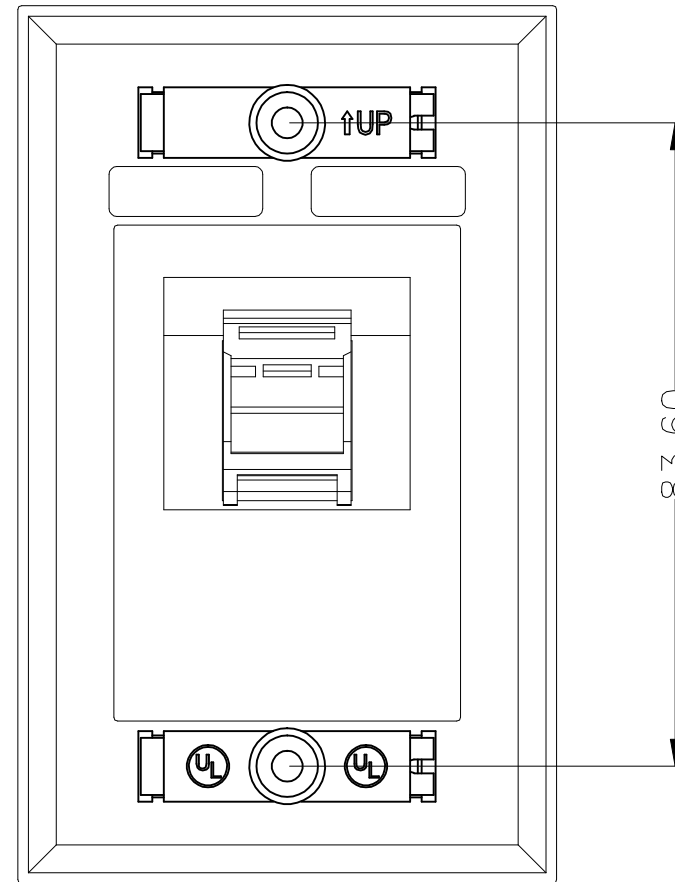
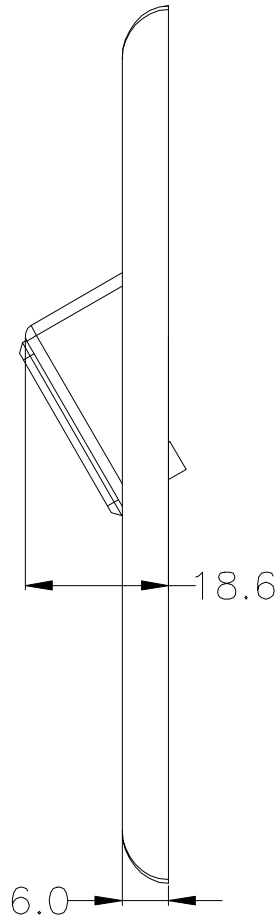
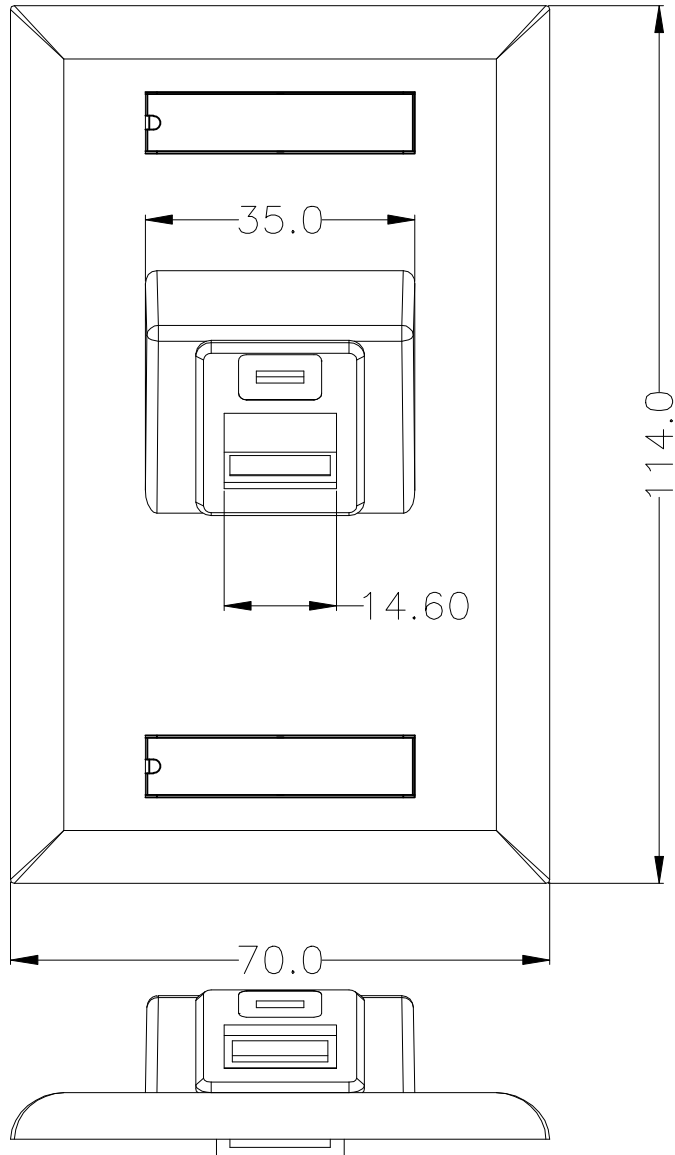


REVISION RECORD				
REV	ECO	DESCRIPTION	DRFT	CHKD



DETACHED LISTS	← MM (INCH) →		DFTO	YL	DATE
	TOLERANCES EXCEPT AS NOTED		CHKD	KC	DATE
0.00-20.00	±0.10	MFO		DATE	
20.00-50.00	±0.15	APPVL	GR	DATE	2010/02/27
50.00-100.00	±0.20	REV	GR	DATE	2010/02/27
100.00- angle	±0.25 ±30'	MATERIAL:			
THIRD ANGLE PROJECTION		PART NO.	LP-3317V1YY1		
		DRAWING NO.	LP3317V1YY1_DD_SPB01W		

LANPRO
How Information Moves...

TITLE
Un puerto vertical inclinado

8 7 6 5 4 3 2 1

H
G
F
E
D
C
B
A