

LP-PAW Universal Mounting System for Antennas.

LPPAW_SS_ENB01W

Features

- Galvanized steel.
- Grey electrostatic powder paint for harsh weather resistance.
- Extremely versatile.
- Attractive looks.
- Robust construction.
- Choice of two positions for more angular flexibility.
- 90 degrees tilt adjustment.
- 1 3/4" steel tube for more strength.

Applications

- Used for customer premises equipment.
- For roof or wall mounting.
- For under eave mounting.
- For indoor or outdoor use.



LP-PAW Universal Mounting System for Antennas.

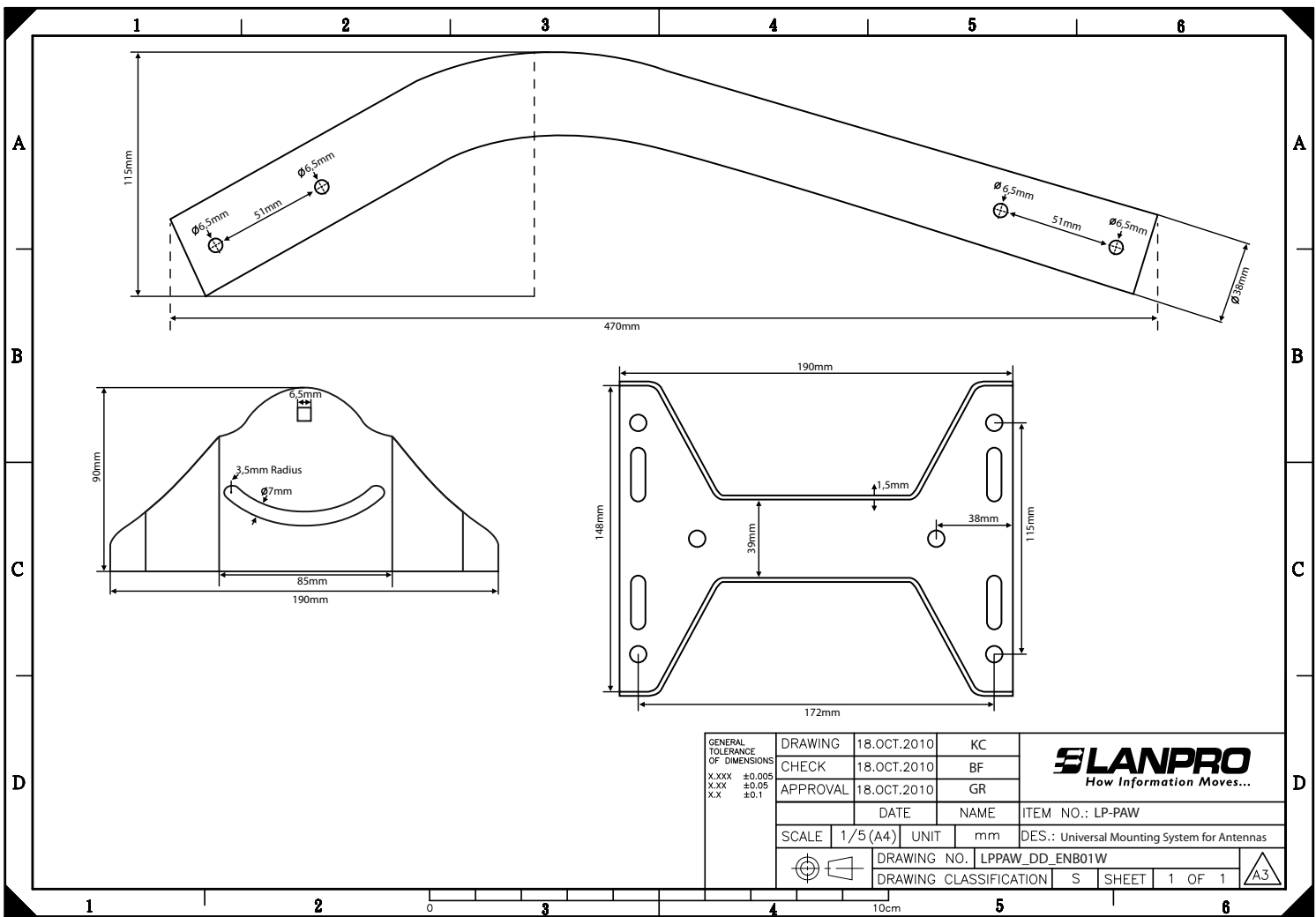
The LP-PAW Universal Mounting System for Antennas consists of a universal wall or roof mounting base and an angled tube used for fixing the antenna. The tilt angle can be adjusted to a full 90 degrees to suit the varied coverage and aiming requirements of the link, ideal for the most demanding needs of the installer. With a tube diameter of 1.5" (38 mm) and length of 20" (500 mm, 0.5m), it has room for most types of pole mounted antennas for typical applications in the 2.4 GHz to 5.8 GHz WiFi bands. The LP-PAW's low profile and attractive design style is ideal for the most demanding uses in buildings and/or neighborhoods.



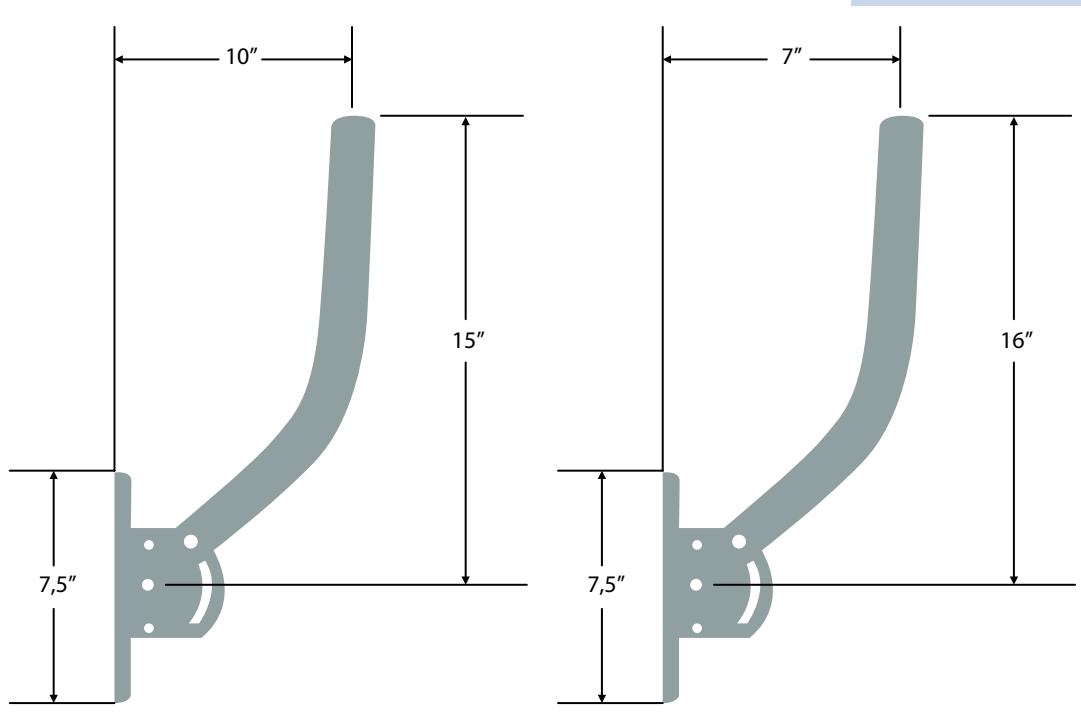
A Technical Specifications

- Tube diameter: 1.5" (38 mm).
- Length: 20" (500 mm, 0.5 m).
- 90 degrees tilt adjustment.
- Up to 150 pounds (68 Kg) of axial and lateral load.
- 1 3/4" steel tube for more strength.

B Drawings



Two Mounting options dimensions



C Mounting Options



D How to Order

LP-PAW Universal Mounting System for Antennas.