

1 2 3 4 5 6

A

A

B

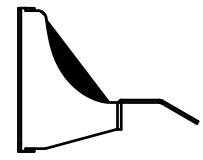
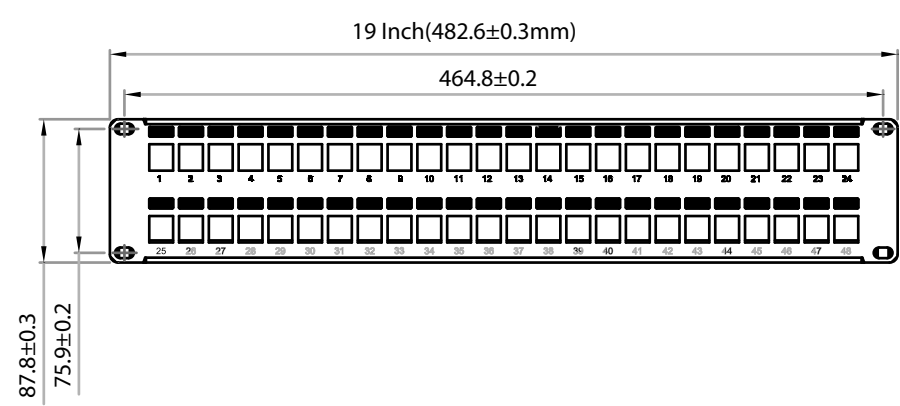
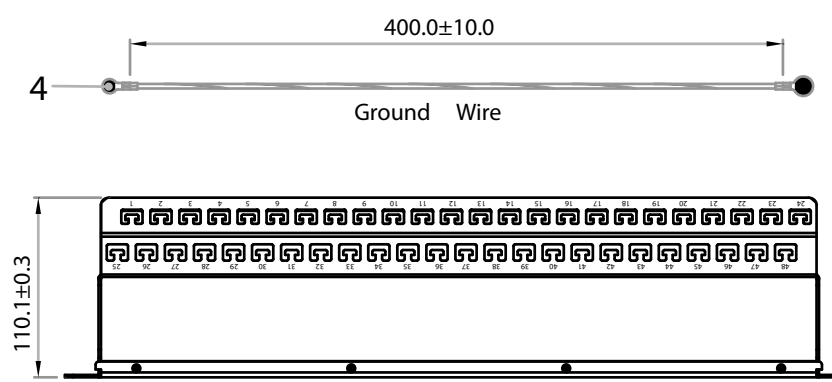
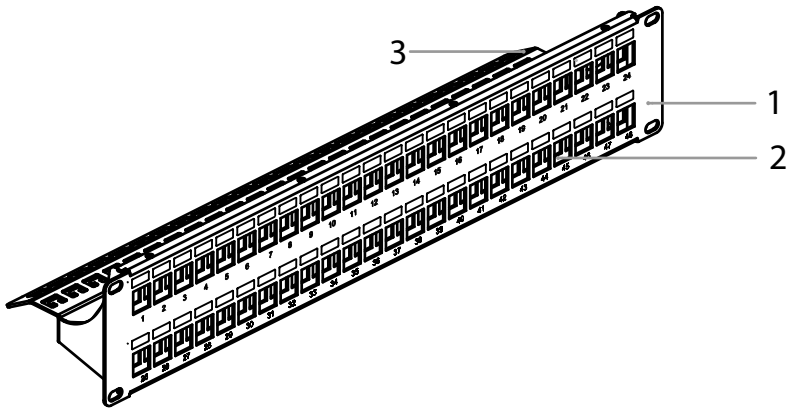
B

C

C

D

D



SCALE 1/5

GENERAL TOLERANCE OF DIMENSIONS X.XXX ±0.005 X.XX ±0.05 X.X ±0.1	DRAWING	11 NOV 2016	YL	 LANPRO <i>Connect-and-Forget</i>
	CHECK	11 NOV 2016	KM	
	APPROVAL	11 NOV 2016	GR	
	DATE		NAME	
SCALE	1/5 (A4)	UNIT	mm	DES.: 48 Ports iMC® 8000 Series Unloaded, Shielded Modular Compatibility Patch Panel
DRAWING NO.		LPiP48FS_DD_ENB01W		
DRAWING CLASSIFICATION		S	SHEET	1 OF 1

1 2 3 4 5 6 10cm

