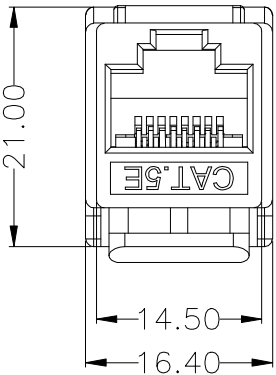
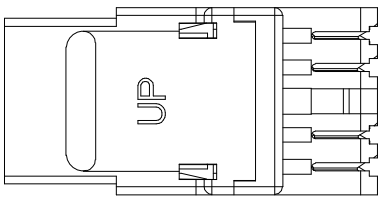
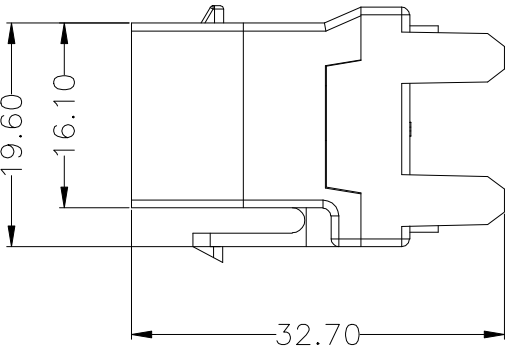
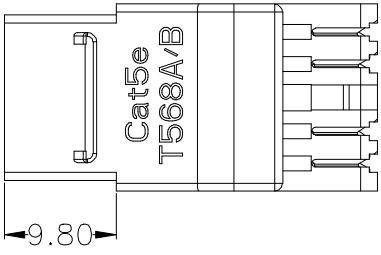
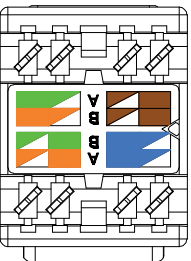
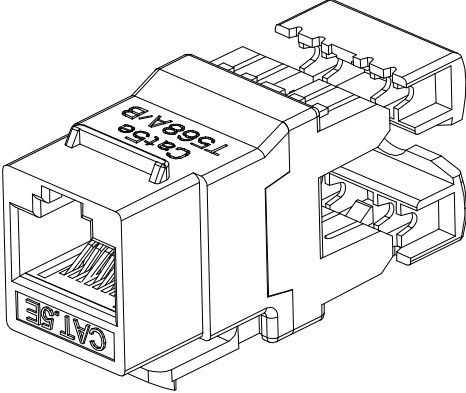


REVISION RECORD				
REV	ECO	DESCRIPTION	DRFT	CHKD



DETACHED LISTS	← MM (INCH) →	DFTO BF	DATE 2007/08/07
	TOLERANCES EXCEPT AS NOTED	CHKD KC	DATE
		MFO GR	DATE
		APPVL	DATE
		REV	DATE
	MATERIAL:		
	PART NO.	LPIAKCEUSCC_DD_ENB01W	
	DRAWING NO.		
	THIRD ANGLE PROJECTION		

LANPRO
How Information Moves...

TITLE
LP-iAKCEUSCC_DD_ENB01W

8 7 6 5 4 3 2 1

H
G
F
E
D
C
B
A