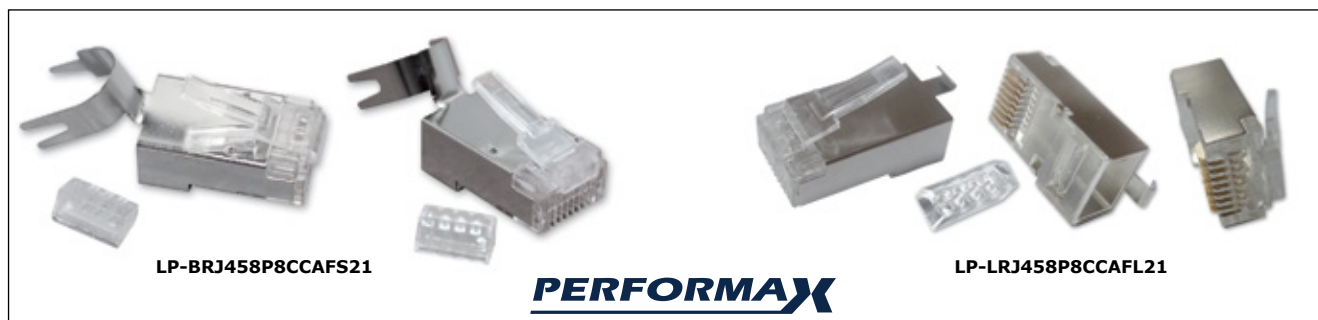




RJ45 8P8C Two parts CAT 6A, Fully Shielded Plugs Comparison Table

LPXRJ458P8CCAFX21_CPR_ENB01W



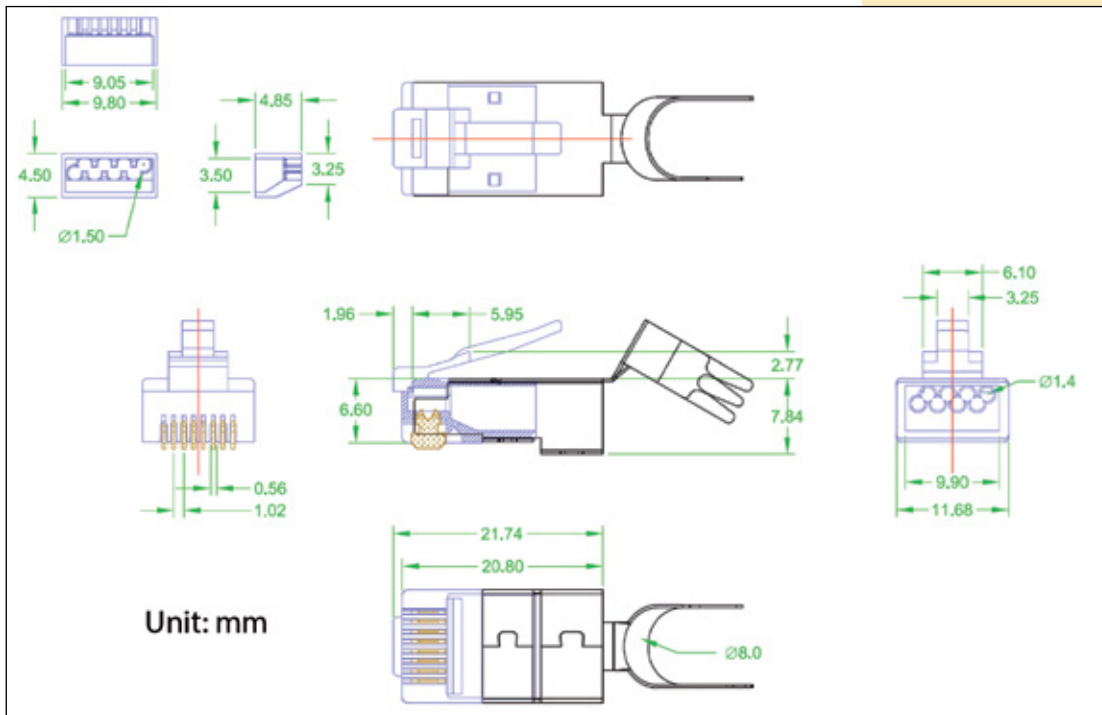
RJ45 8P8C Two parts CAT 6A, Fully Shielded Plugs Comparison Table		
LanPro Part No.	 LP-BRJ458P8CCAFS21	 LP-LRJ458P8CCAF21
Type	CAT 6A STP	CAT 6A STP
Description	RJ45 8P8C Two Part CAT 6A, Fully Shielded Plug with Gold- Plated Contacts, two Slanted Prongs for AWG 22/23 Solid conductors, cable clip 1.4mm conductor hole with 1.5mm load bar for large diameter cable.	RJ45 8P8C Two Part CAT 6A, Fully Shielded plug with drain wire/Mesh grounding lug and gold-plated contacts and two slanted prongs for AWG 23/26 Solid Conductors.
Performance	CAT 6 or CAT 6A depends on cable quality	CAT 6 or CAT 6A depends on cable quality
Conductor insulation diameter range	1.30 ~ 1.40mm	1.30 ~ 1.40mm
Cable jacket diameter range	7.80 ~ 8.30mm	6.0 ~ 6.5mm
PC Boot type	Big 8.0 mm LP-B101BK1	Big 8.0 mm LP-B101BK1
Crimping Tool/Standard RJ45	LPT-236 - Crimp and cut tool for oversize plugs RJ45 model LP-BRJ458P8CCAFS21 by LanPro	Traditional RJ45 Tool (LPT-5680R)
Advantage	Terminating for larger outdoor cable outer diameter; cable clip fixes cable better; easier connecting.	No need specific tool; Good for medium to large cables.
Disadvantage	With drain wire; Need specific tool.	Drain wire need to be soldered

LanPro está mejorando sus productos continuamente y se reserva el derecho a cambiar las especificaciones y disponibilidad sin notificación previa.

A Specifications

Material	
Housing	Polycarbonate, UL 94V-2, transparent color
Contact terminal	Phosphor bronze, finish: 50 microinches gold plating over 50 microinches nickel plated on contact area.
Shielding	Chrome plated bronze fully shielding cover
Material Shell	Brass
Electrical	
Applications	150 VAC max. @ 15A @25°C, derated to 2A @ 70°C.
Dielectric withstand voltage	1000 VAC.
Insulation resistance	500 MΩ
Performance	
Operating temperature	-40°C to 70°C
Cable-plug tensile strength	7.7 Kg.
Used for 22-23 AWG solid wires	
Durability	750 mating cycles
Standards Compliance	
TIA-568A and TIA-568B.	
1000BASE-T Gigabit Ethernet.	

B Dimensional Drawing



C How to Order

LP-LRJ458P8CCAFS21 | Oversize RJ45 8P8C Two Part CAT 6A, Fully Shielded Plug with Gold- Plated Contacts, two Slanted Prongs for AWG 22/23 Solid Conductors, cable clip and large diameter cable.

LanPro is continuously improving its products and reserves the right to change specifications and availability without prior notice.