

1 2 3 4 5 6

A

B

C

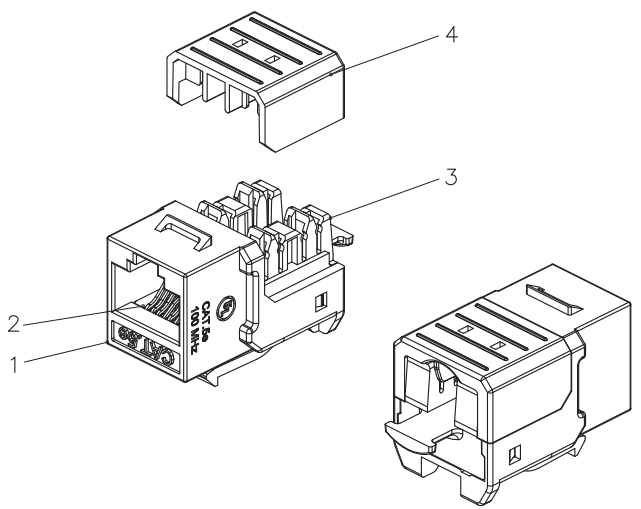
D

A

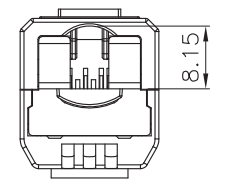
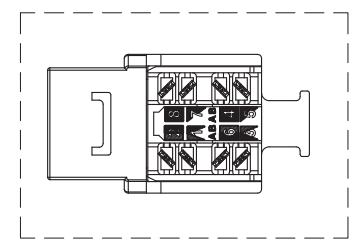
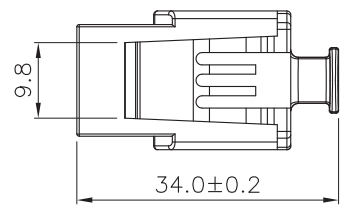
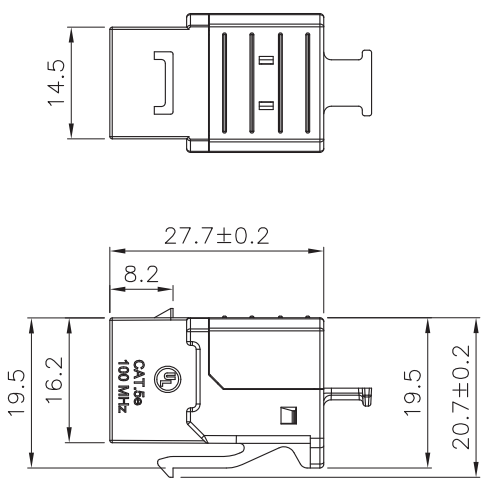
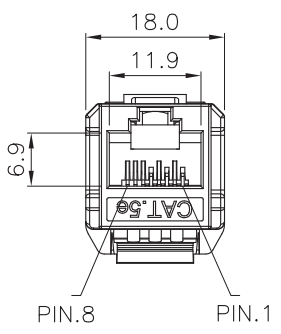
B

C

D



SCALE 1/1



GENERAL TOLERANCE OF DIMENSIONS X.XXX ±0.005 X.XX ±0.05 X.X ±0.1	DRAWING	02.APR.2014	YL	 <b>LANPRO</b> How Information Moves...	
	CHECK	02.APR.2014	KC		
	APPROVAL	02.APR.2014	GR		
	SCALE		1/1 (A4)	UNIT	mm
DRAWING NO.		LPXCEPUSXX_DD_ENB01W		DES.: 8000 Series CAT 5e 8P8C RJ45, X-Class Compatible Unshielded Jack, 90° IDC	
DRAWING CLASSIFICATION		S	SHEET	1 OF 1	

1 2 3 4 5 6

0 10cm