

1

2

3

4

5

6

A

A

B

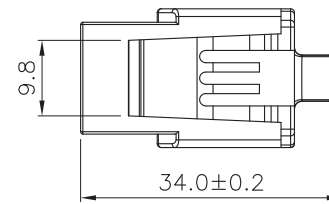
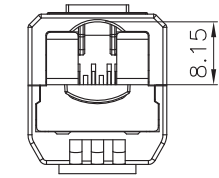
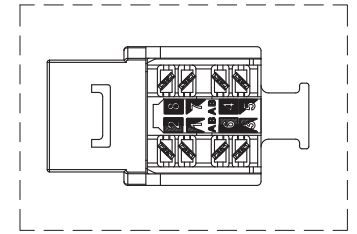
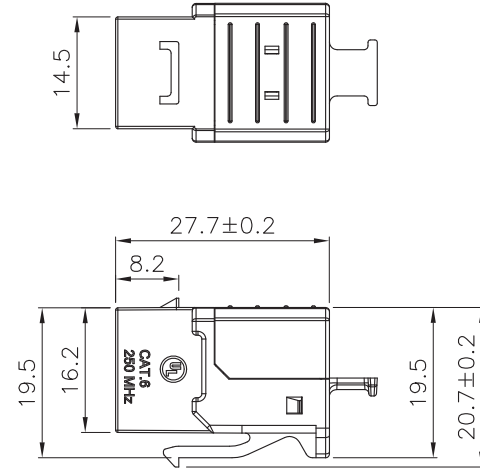
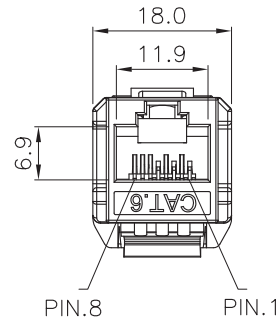
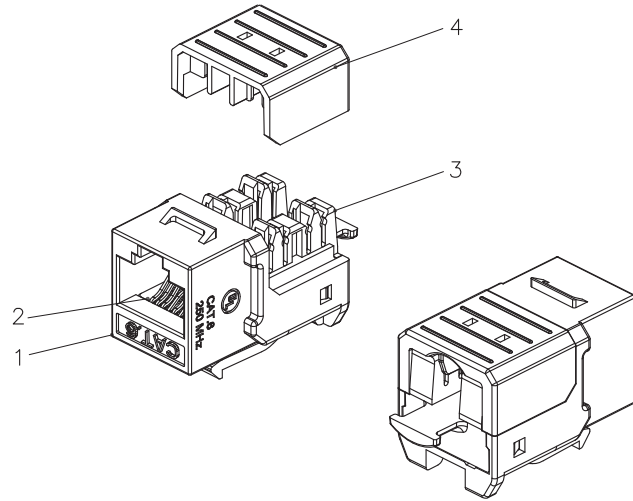
B

C


C

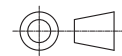
D

D



SCALE 1/1

GENERAL TOLERANCE OF DIMENSIONS X.XXX ±0.005 X.XX ±0.05 X.X ±0.1	DRAWING	02.APR.2014	YL	 <b>LANPRO</b> How Information Moves...	
	CHECK	02.APR.2014	KC		
	APPROVAL	02.APR.2014	GR		
	DATE		NAME		ITEM NO.: LP-XC6PUSXX
	SCALE	1/1 (A4)	UNIT	mm	DES.: CAT 6 8P8C RJ45, X-CLASS Compatible Unshielded Jack, 90° IDC.
DRAWING NO.		LPXC6PUSXX_DD_ENB01W			
DRAWING CLASSIFICATION		S	SHEET	1 OF 1	



1

2

0

3

4

10cm

5

6