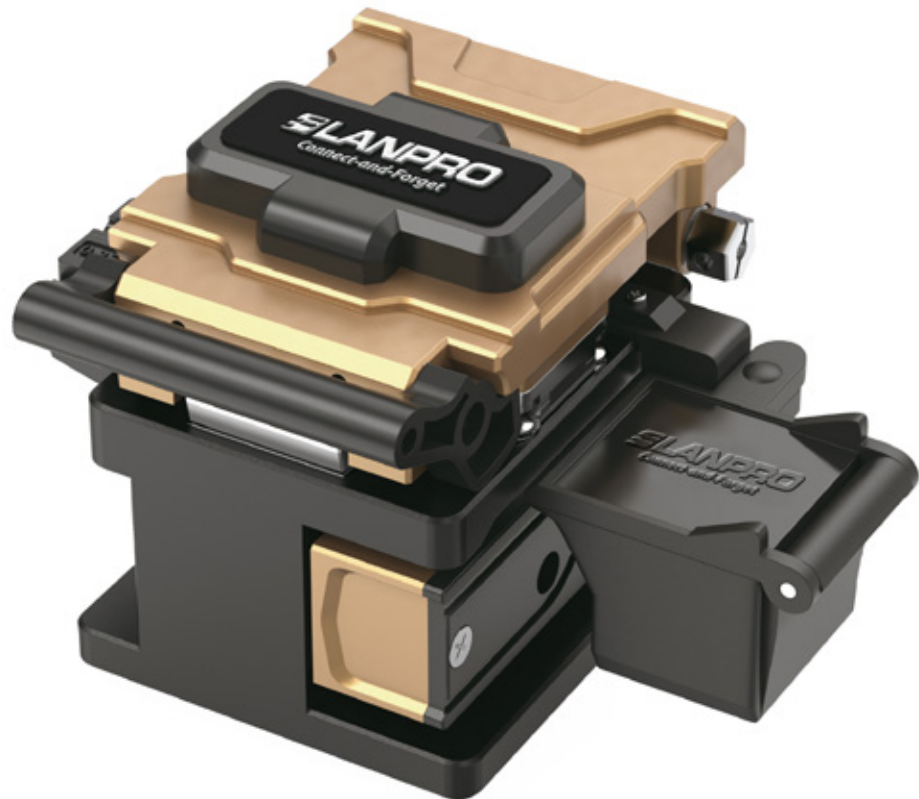


LPT-FCVL7+ Optic High Precision Cleaver

LPTFCVL7_SS_ENB01W

Features:

- Blade life up to 48000 times.
- Double fixture design, suitable for various optical fibers of 250-3.0mm.
- High precision CNC machining and forming, excellent texture.
- Typical cutting angle ≤ 0.5 degree.
- Tungsten steel blade, wear resistance, high hardness, corrosion resistance.
- Traditional bench top design, simple and easy to use.



LPT-FCVL7+ Optic High Precision Cleaver

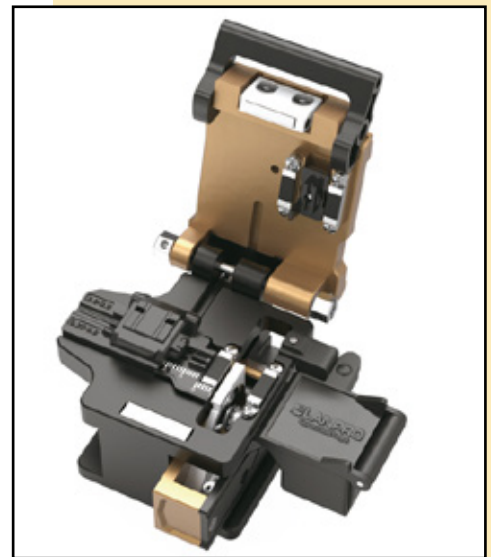
LPT-FCVL7+ is high precision optical fiber cleaver which can support various fiber type (Flat, 250um, 900um, 3mm). Also guaranteed durable blade support 48,000 cleaving.

LPT-FCVL7+ fiber cleaver is best model to satisfy maintenance and cost efficiency.



A Specifications

Fiber material	Single Fiber
Cladding Diameter	125um
Cleaved Length	Single fiber: 8~20mm / Ribbon fiber: 10mm
Applicable Fiber Cable	Single fiber: 250um, 900um, 3.0mm / flat cable / Ribbon fiber: 2 to 12 fiber cable
Typical Cleaved Angle	Less than 0.5 degrees
Typical Blade Life	Total 48000 fiber cleaves (replaceable)
Off-cut collector	Pre-fitted
Type of Offcut Bin	Manual
Auto Return	Pre-fitted
Dimension / Weight	77W x 97D x 63H (mm) / 360g



B How to order

LPT-FCVL7+ Optic High Precision Cleaver

Lanpro is continuously improving its products and reserves the right to change specifications and availability without prior notice.