

1

2

3

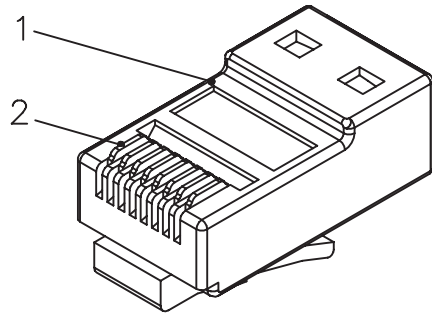
4

5

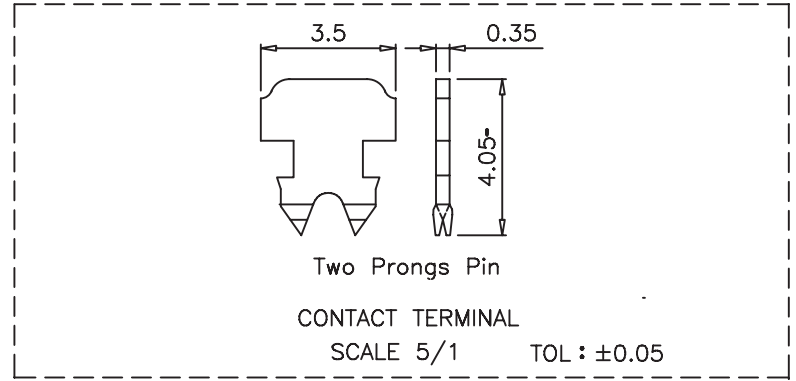
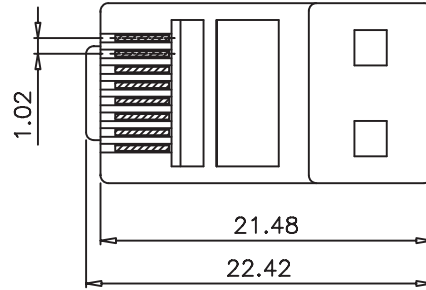
6

A

A

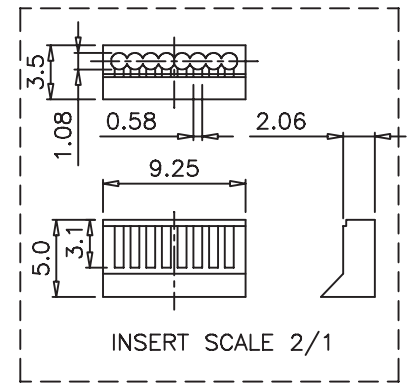
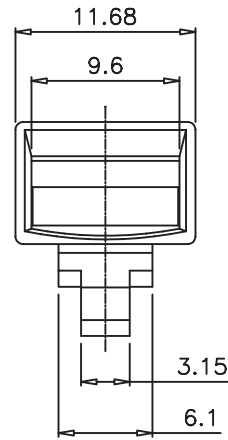
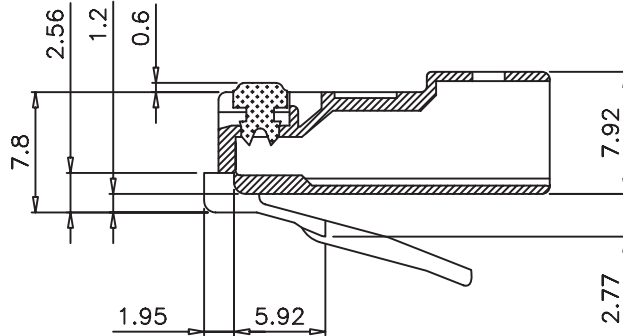
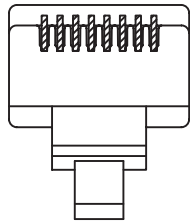


SCALE 2/1



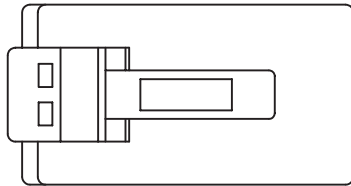
B

B




C

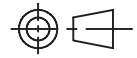
C



D

D

GENERAL TOLERANCE OF DIMENSIONS ±0.1	DRAWING	09.MAY.2006	YL		
	CHECK	09.MAY.2006	KC		
	APPROVAL	09.MAY.2006	GR		
	DATE	NAME	ITEM NO.: LP-SRJ458P8CC6US21		
	SCALE	2/1 (A4)	UNIT	mm	DES.: UNSHIELDED 8P8C WITH INSERT FOR SNAGLESS BOOT BODY
	DRAWING NO. LPSRJ458P8CC6US21_DD_ENC01W				
	DRAWING CLASSIFICATION		S	SHEET	1 OF 1



1

2

0

3

4

10cm

5

6