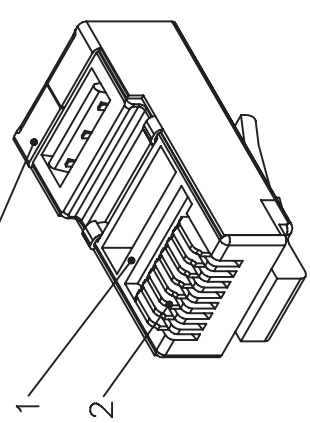
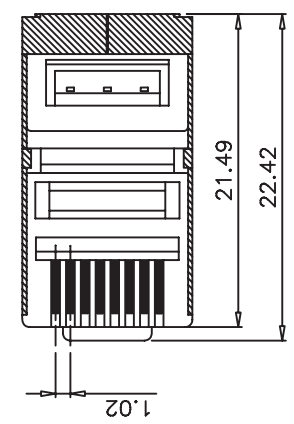


1 2 3 4 5 6

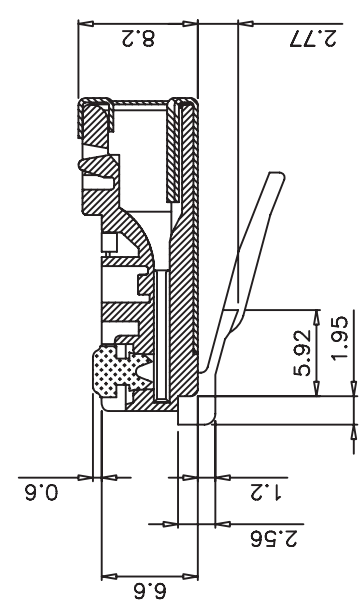
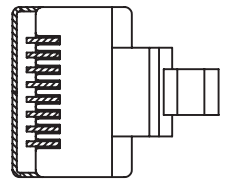
A



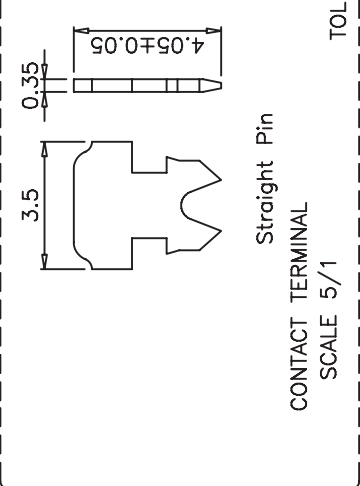
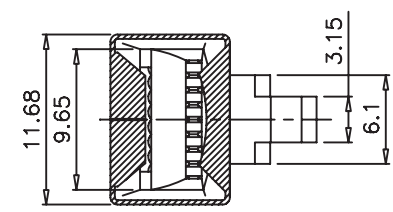
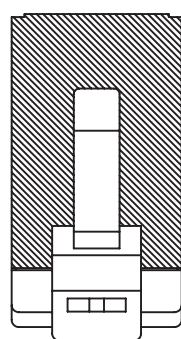
SCALE 2/1



B



C



Straight Pin  
CONTACT TERMINAL  
SCALE 5/1  
TOL: ±0.05

D

**LANPRO**

DRAWING	23.JUN.2005	BF
CHECK	23.JUN.2005	GR
APPROVAL	23.JUN.2005	EF
SCALE	2/1 (A4)	UNIT
	DATE	NAME
		mm

	DRAWING NO.	LPRJ458P8CCEFS_DD_ENB01W.pdf
	DRAWING CLASSIFICATION	S SHEET 1 OF 1

ITEM NO.: LP-RJ458P8CCEFS  
DES.: CAT 5e 8P8C 1 part plug shielded 2 straight prongs

GENERAL TOLERANCE OF DIMENSIONS ±0.1

1 2 3 4 5 6  
10cm