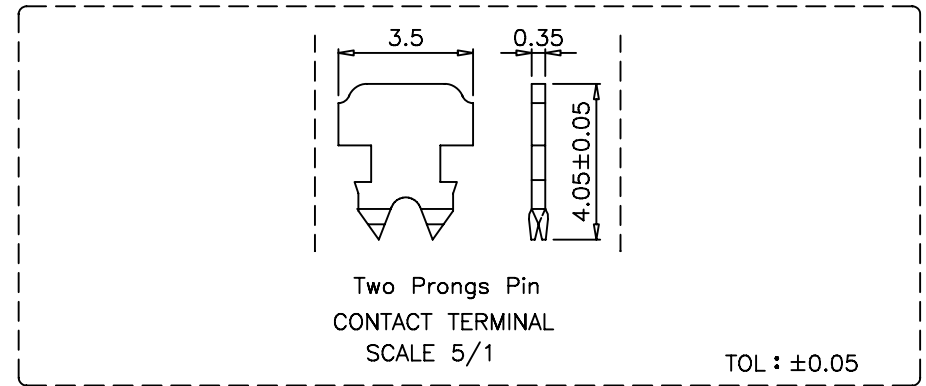
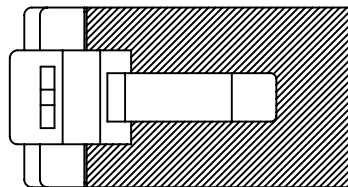
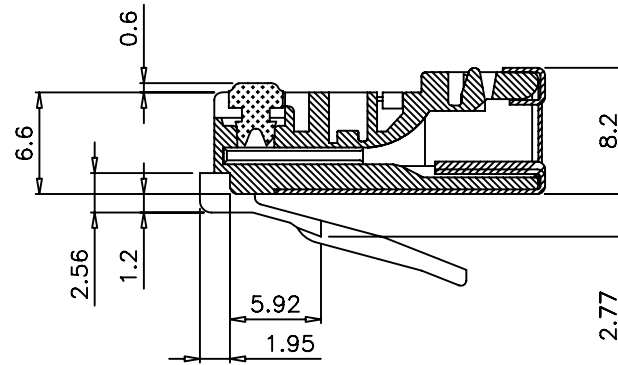
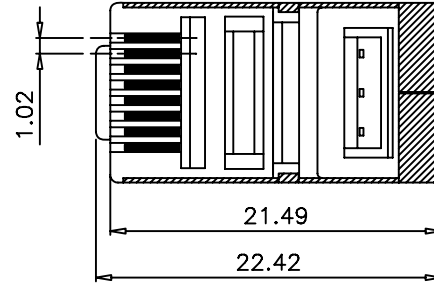
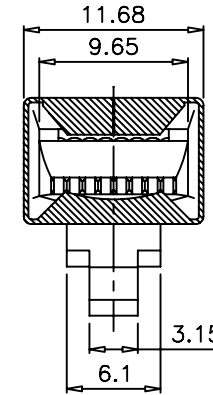



SCALE 2/1



Two Prongs Pin
CONTACT TERMINAL
SCALE 5/1

TOL : ±0.05



GENERAL TOLERANCE OF DIMENSIONS ±0.1	DRAWING	23.JUN.2005	YL	
	CHECK	23.JUN.2005	KC	
	APPROVAL	23.JUN.2005	GR	
		DATE	NAME	
SCALE	2/1 (A4)	UNIT	mm	DES.: CAT 5e 8P8C 1 part plug shielded prongs slanted
	DRAWING NO. LPRJ458P8CCEFS11_DD_ENB01W			
	DRAWING CLASSIFICATION		S SHEET	1 OF 1

