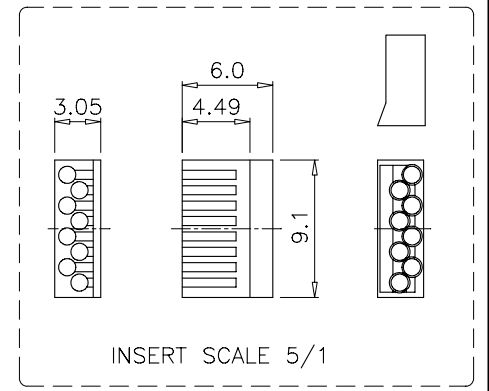
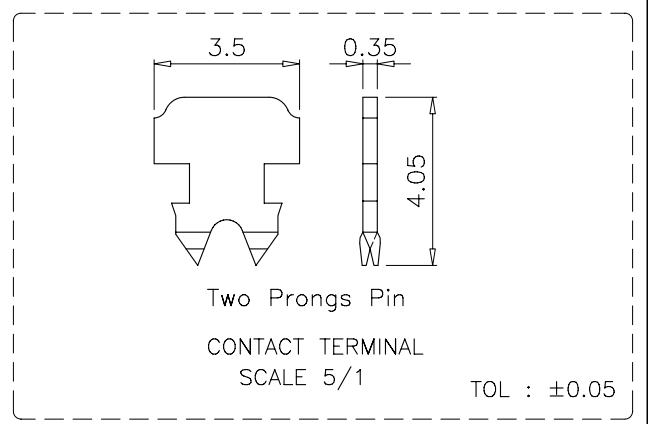
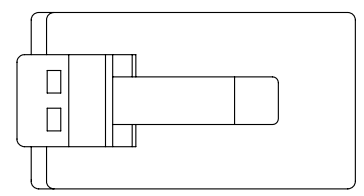
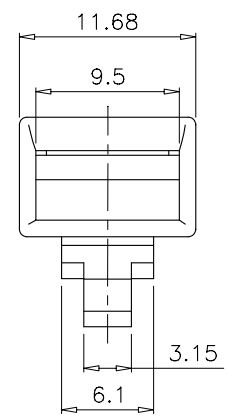
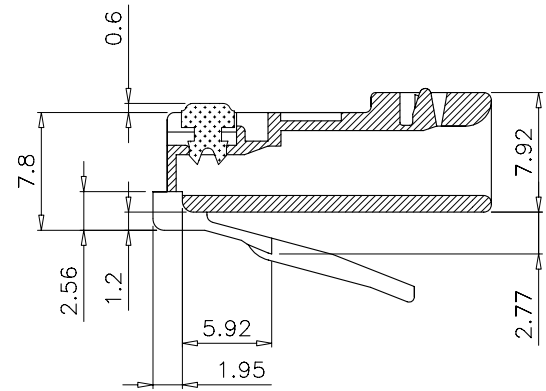
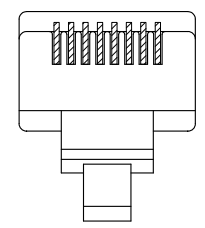
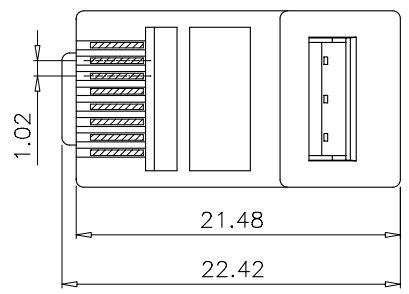


SCALE 2/1



GENERAL TOLERANCE OF DIMENSIONS ±0.1	DRAWING	1.NOV.2011	YL	<p>LANPRO How Information Moves...</p>
	CHECK	1.NOV.2011	KC	
	APPROVAL	1.NOV.2011	GR	
		DATE	NAME	
SCALE	2/1 (A4)	UNIT	mm	DES.: 8P8C CAT6 2 PART PLUG UNSHIELDED 2 PRONG SLANTED
		DRAWING NO. LPRJ458P8CC6US21_DD_ENB01W		
DRAWING CLASSIFICATION		S	SHEET 1 OF 1	