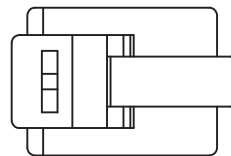
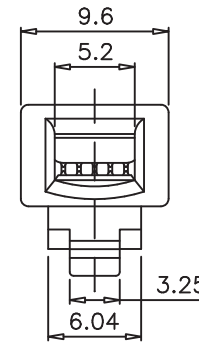
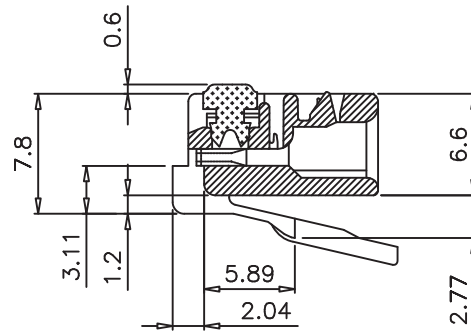
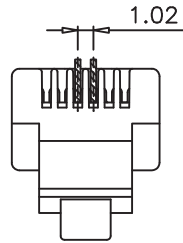
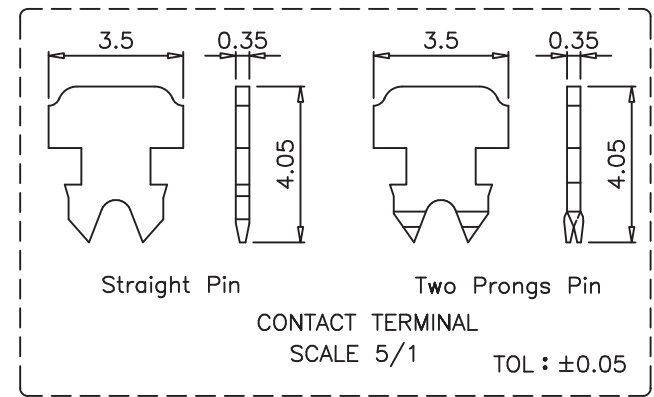
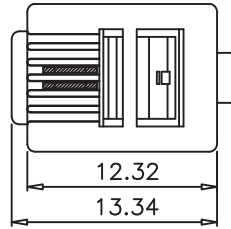

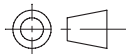


SCALE 2/1



| | | | | |
|---|------------------------|-------------|---------------------------|---|
| GENERAL TOLERANCE OF DIMENSIONS ±0.1 | DRAWING | 20.JUN.2005 | KC |  |
| | CHECK | 20.JUN. | KM | |
| | APPROVAL | 20.JUN.2005 | GR | |
| | DATE | NAME | ITEM NO.: LP-RJ116P2CCTUS | |
| SCALE | 2/1 (A4) | UNIT | mm | DES.: Unshielded 6P2C |
|  | DRAWING NO. | | LPRJ116P2CCTUS_DD_ENB01W | |
| | DRAWING CLASSIFICATION | | S | SHEET 1 OF 1 |