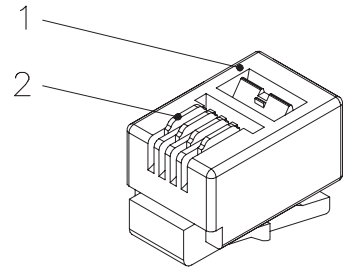
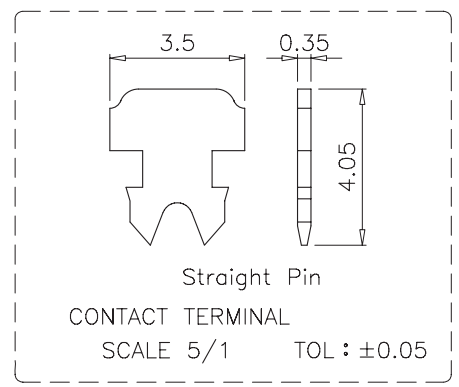
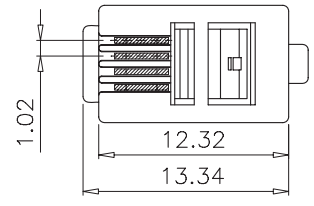


1 2 3 4 5 6

A

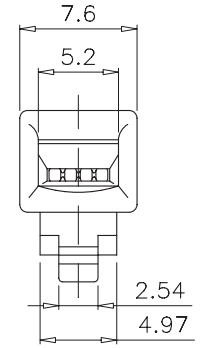
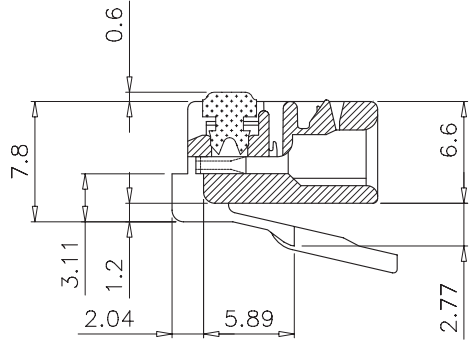
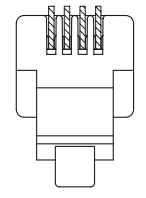


SCALE 2/1



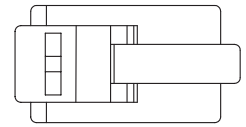
A

B



B

C



C

D

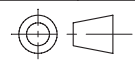
GENERAL TOLERANCE OF DIMENSIONS ±0.1

DRAWING	20.JUN.2005	KC
CHECK	20.JUN.2005	KM
APPROVAL	20.JUN.2007	GR
	DATE	NAME



SCALE	2/1 (A4)	UNIT	mm
DRAWING NO.		LPRJ094P4CTLUS_DD_ENB01W	
DRAWING CLASSIFICATION		S	SHEET 1 OF 1

ITEM NO.: LP-RJ094P4CTLUS  
DES.: Unshielded 4P4C



1 2 3 4 5 6  
0 10cm

D