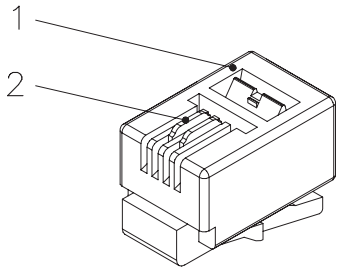
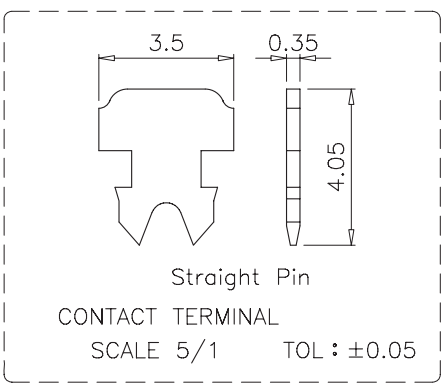
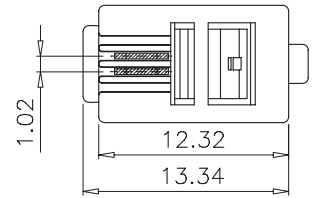


1 2 3 4 5 6

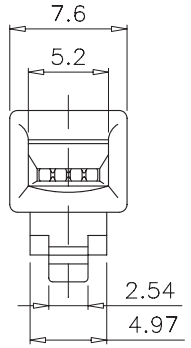
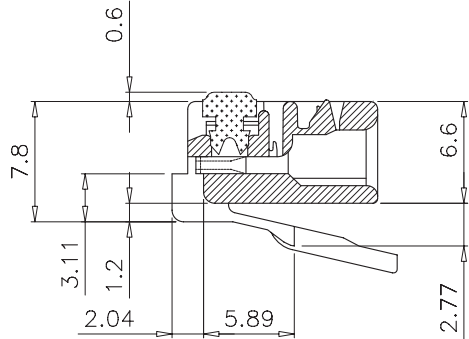
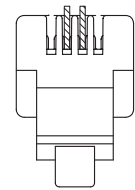
A



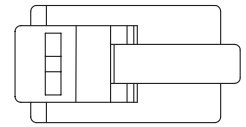
SCALE 2/1



B



C

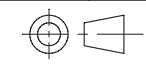


D

GENERAL TOLERANCE OF DIMENSIONS ±0.1

DRAWING	20.JUN.2005	KC	
CHECK	20.JUN.	KM	
APPROVAL		GR	
	DATE	NAME	
SCALE	2/1 (A4)	UNIT	mm

	ITEM NO.: LP-RJ094P2CTLUS		
	DES.: Unshielded 4P2C		



DRAWING NO.	LPRJ094P2CTLUS_DD_ENB01W
DRAWING CLASSIFICATION	S SHEET 1 OF 1



1 2 3 4 5 6 0 10cm