

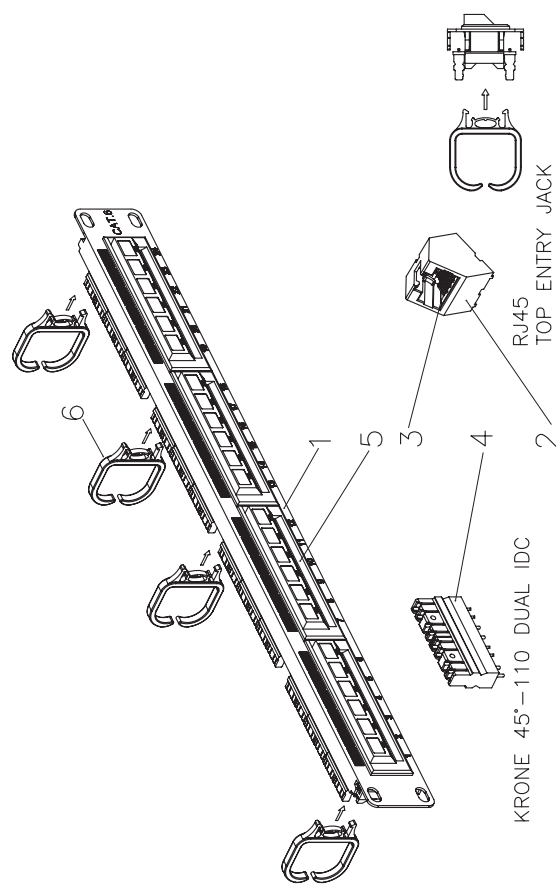
1 2 3 4 5 6

A

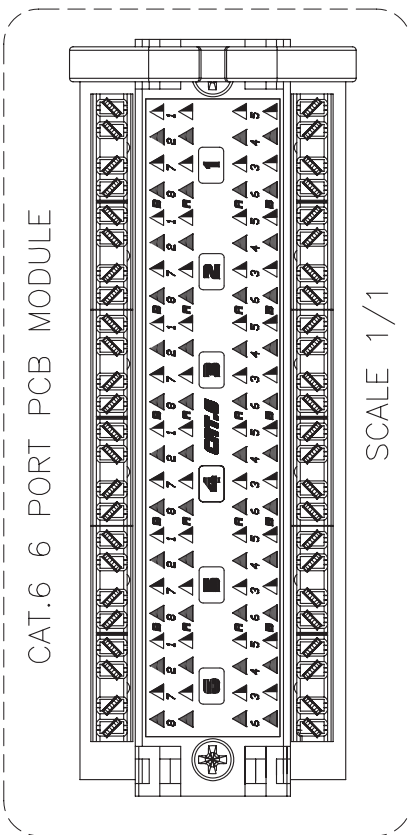
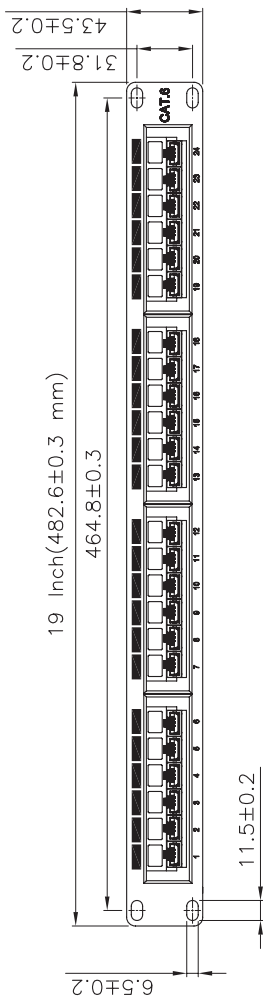
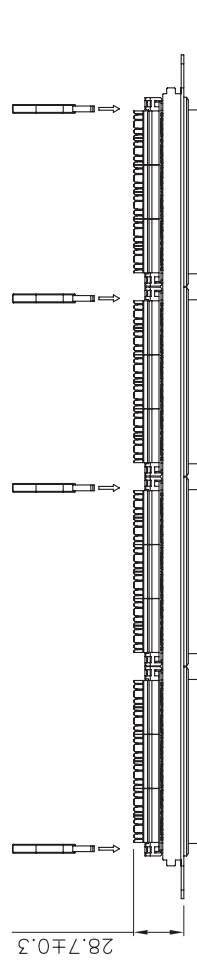
B

C

D



SCALE 1/4



SCALE 1/1

GENERAL TOLERANCE OF DIMENSIONS	25.OCT.2010	KC
X.XXX ±0.005	CHECK	KM
X.XX ±0.05	APPROVAL	GR
X.X ±0.1		

DRAWING	25.OCT.2010	KC	
CHECK	25.OCT.2010	KM	
APPROVAL	25.OCT.2010	GR	
SCALE	1/4 (A4)	UNIT	m/m
	DATE	NAME	ITEM NO.: LP-P8C62445USD
			DES.: CAT.6 UNSHIELDED PATCH PANEL

DRAWING NO.	LPP8C62445USD_DD_ENB01W
DRAWING CLASSIFICATION	S SHEET 1 OF 1



10cm

1 2 3 4 5 6