

LP-F3316KBK Cylindrical Fiber Optical Splice Closure 1 oval port plus 6 round ports, $\Phi 287.4 \times 380.5\text{mm}$ (H)

LPF3316KBK_SS_ENB01W

Features:

- Impact resistant PP material, black color.
- Heat shrinkable sealing structure, IP68.
- Max. 12pcs fiber optic splice tray, 24 fibers/tray. Max. For 288 fibers.
- Each splice tray can put 1pc 1:8 PLC steel tube type splitter.
- Can load max. 18pcs SC simplex adapters.
- There are two extra splitter space for PLC 1x8, 1x16 on the bracket.
- 6 round cable port $\Phi 18\text{mm}$, 1 oval cable port for 2pcs $\Phi 18\text{mm}$ cable entry without cutting.
- Working temperature $-35^{\circ}\text{C} \sim 70^{\circ}\text{C}$, cold and heat resistance, electrical insulation, corrosion resistance.
- Support wall mounted, pole mounted, aerial hanged, direct buried.



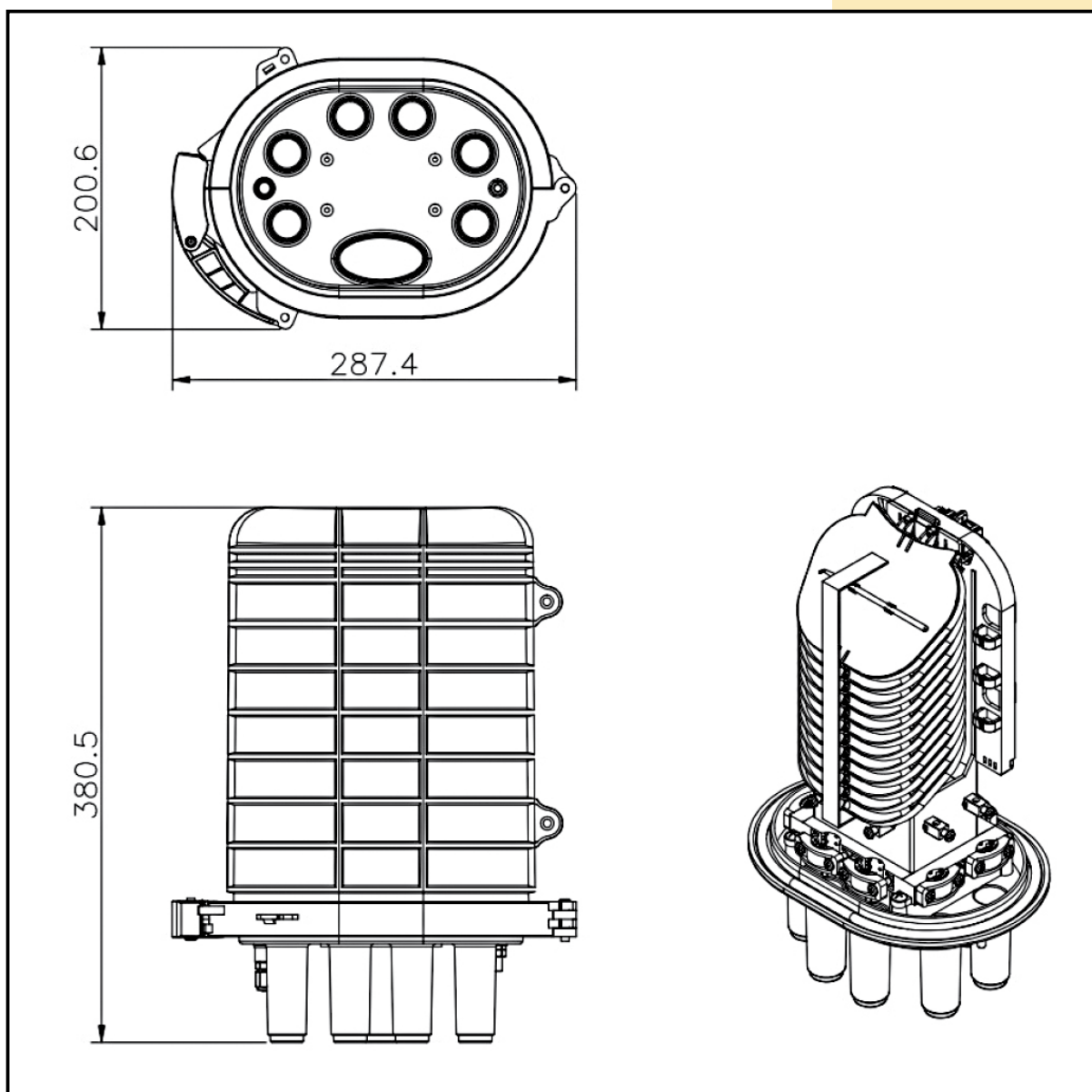
LP-F3316KBK Cylindrical Fiber Optical Splice Closure 1 oval port plus 6 round ports, $\Phi 287.4 \times 380.5\text{mm}$ (H)

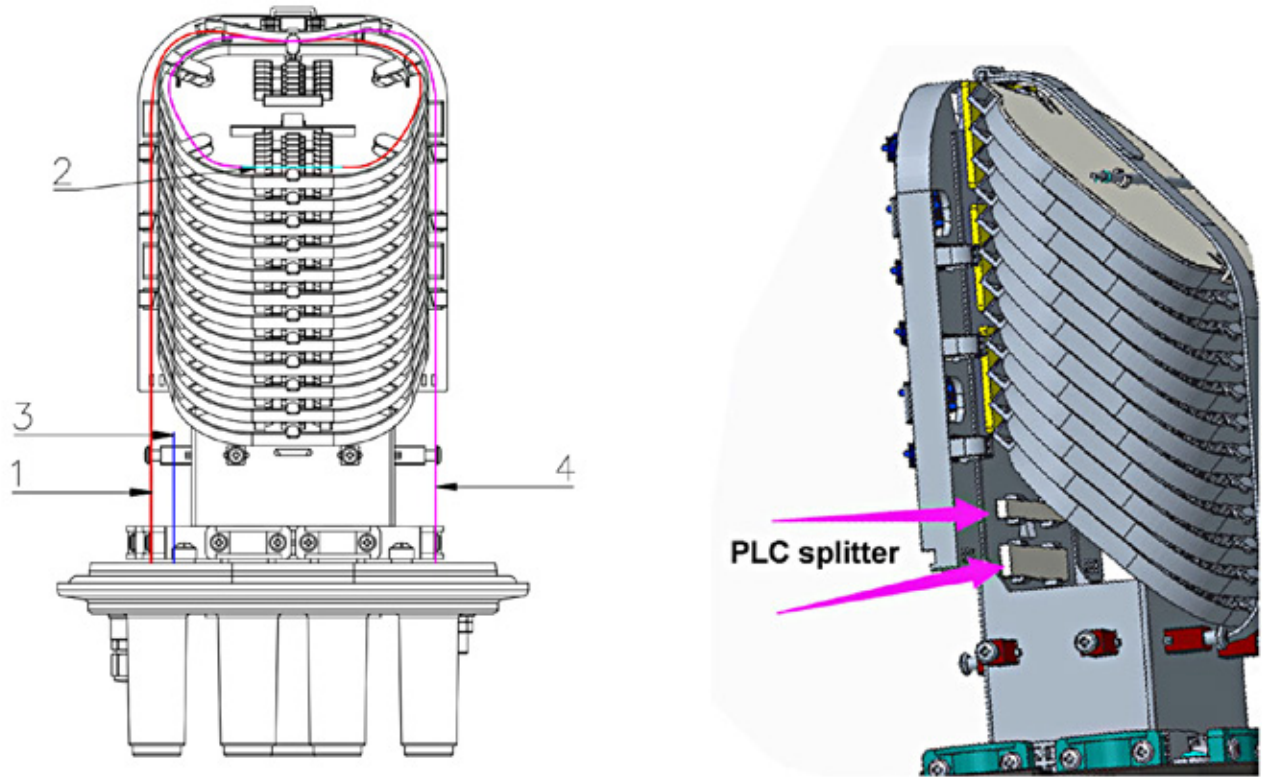
LP-F3316KBK is a dome type fiber optic splice closure that support fiber splicing and protection. It is waterproof and dust proof and suitable for outdoor aerial hanged, pole mounted, wall mounted, duct or buried application.

A Accessories list

Item	Name	Specification	Qty
1	Plastic tube	Outside Φ 4mm, thickness 0.6mm, plastic, white	1 meter
2	Cable tie	3mm*120mm, white	12 pcs
4	Heat shrinkable protection sleeve	60*2.6*1.0mm	As per using capacity

B Dimensional Drawing



C Instructions:

1. Input fiber optic cable
2. Heat shrinkable protection sleeve
3. Cable strengthens member
4. Output fiber optic cable

D How to Order:

LP-F3316KBK Cylindrical Fiber Optical Splice Closure 1 oval port plus 6 round ports, $\Phi 287.4 \times 380.5\text{mm}$ (H)