

## LP-F3316JBK Cylindrical Fiber Optical Splice Closure 1 oval port plus round ports, $\Phi 267 \times 527.5$ (H)

LPF3316JBK\_SS\_ENB01W

### Features:

- Splice tray: Max. 12pcs, each 24cores.
- Cable port: 6pcs round port  $\Phi 19.9\text{mm}$ , 1pc oval port  $38 \times 70\text{mm}$  for supporting cable entry without cutting.
- All cable ports are heat shrink sealing.
- Waterproof: IP68.
- Wall-mounting, aerial hanger and pole holding.
- Material: high impact resistance PP materials with UV.



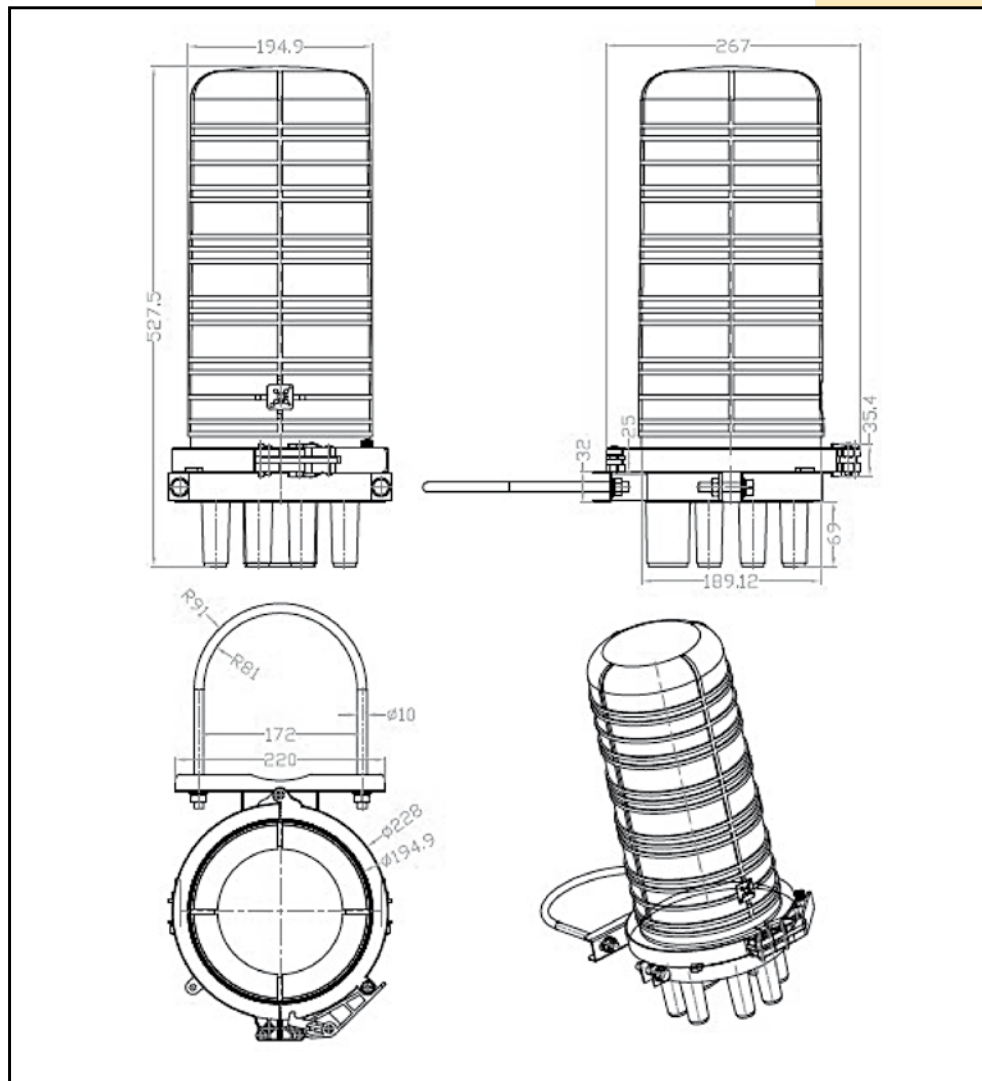
### LP-F3316JBK Cylindrical Fiber Optical Splice Closure 1 oval port plus 6 round ports, $\Phi 267 \times 527.5$ (H)

LP-F3316JBK, vertical Fiber Optical Splice Closure is widely applied to the splicing, distributing variable optical cables. It is big capacity, max. 288 fibers.

**A Specification:**

Splice tray	Fiber core	Dimension(mm)	Net weight (kg)
12 trays, each 24core	288 FO	Φ267 × 527.5	3.31

**B Dimensional Drawing:**



**C How to Order:**

**LP-F3316JBK Cylindrical Fiber Optical Splice Closure 1 oval port plus 6 round ports, Φ267 x 527.5 (H)**