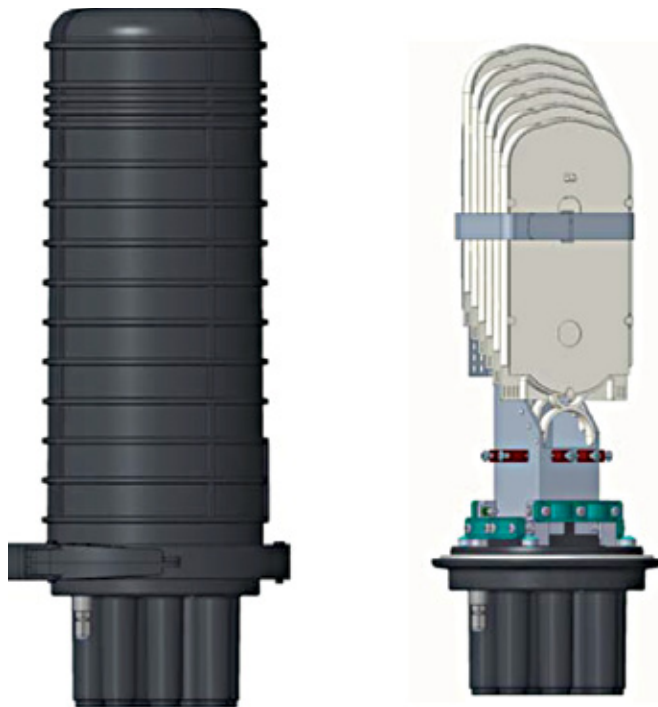


LP-F3316GBK Cylindrical Fiber Optical Splice Closure
1 oval port plus 6 round ports, Φ201.7 x 504mm (H)

LPF3316GBK_SS_ENB01W

Features

- Material: High impact PP plastic +UV resistance agent.
- Capacity: Use **LP-F33702DIV** tray, Each tray for 24 fiber splicing. Max. for 6 trays, 144 cores.
- Cable ports: 6pcs Ø20mm round ports +1pc 62.5*33mm oval port.
- Sealing: Heat shrinkable sealing,
- IP grade: IP68.



LP-F3316GBK
Cylindrical Fiber Optical Splice Closure
1 oval port plus 6 round ports, Φ201.7 x 504mm (H)

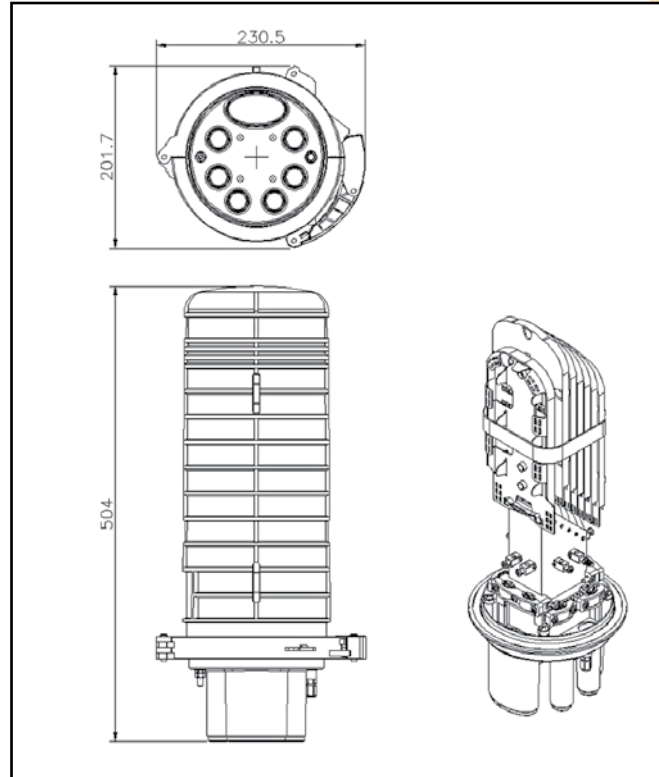
The **LP-F3316GBK** Cylindrical Fiber Optical Splice Closure 6 port, is widely applied to the splicing, distributing variable optical cables and splitting.

The solid box shell and the main structure can endure harsh environment. It protects the fiber optic cable from vibration, impact, stretches, twists. The closure can work in -35°C ~70°C environment, cold and heat resistance, electrical insulation, chemical corrosion resistance.

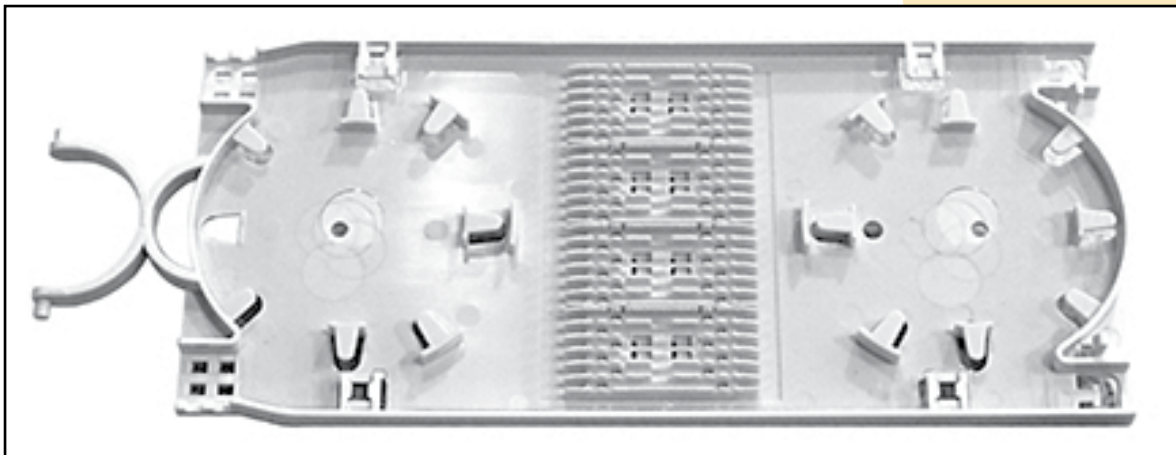
A Specifications

Splice tray	Fiber core	Dimension (mm)
Up to 6 trays each 24 cores	Up to 144 fiber cores	φ201.7 x height 504

B Dimensional Drawing



C Individual Splice Tray



D How to Order

- | | |
|---------------------|---|
| LP-F3316GBK | Cylindrical Fiber Optical Splice Closure 1 oval port plus 6 round ports, $\Phi 201.7 \times 504$mm (H). |
| LP-F33702DIV | ABS plastic fiber optic Splice Tray for cylindrical fiber optical splice closure for up to 24 cores. |

LanPro is continuously improving its products and reserves the right to change specifications and availability without prior notice.