

LP-F3314FBK Cylindrical Fiber Optical Splice Closure 1 oval port plus 4 round ports, $\Phi 182.5 \times 509.1\text{mm}$ (H)

LPF3314FBK_SS_ENB01W

Features:

- Splice tray: It comes from factory with 2 splicing trays with 24 connections per tray for a total of 48 connections. Optional up to 6 splicing trays for a grand total of 144 connections.
- Each additional tray is available separately.
- Cable port: 4 round ports $\phi 20\text{mm}$, 1 oval port for supporting cable entry without cutting. All cable ports are heat shrink sealing.
- Waterproof: IP68.
- Wall-mounting, aerial hanger and pole holding.
- Material: high impact resistance PP materials with UV.
- All hardware is stainless steel and ABS to fight rust and to provide a long working life to the splice. No cheap components are used here. Provided Heat Shrinkable tube are thick wall (adhesive lined) style to assure water protection.



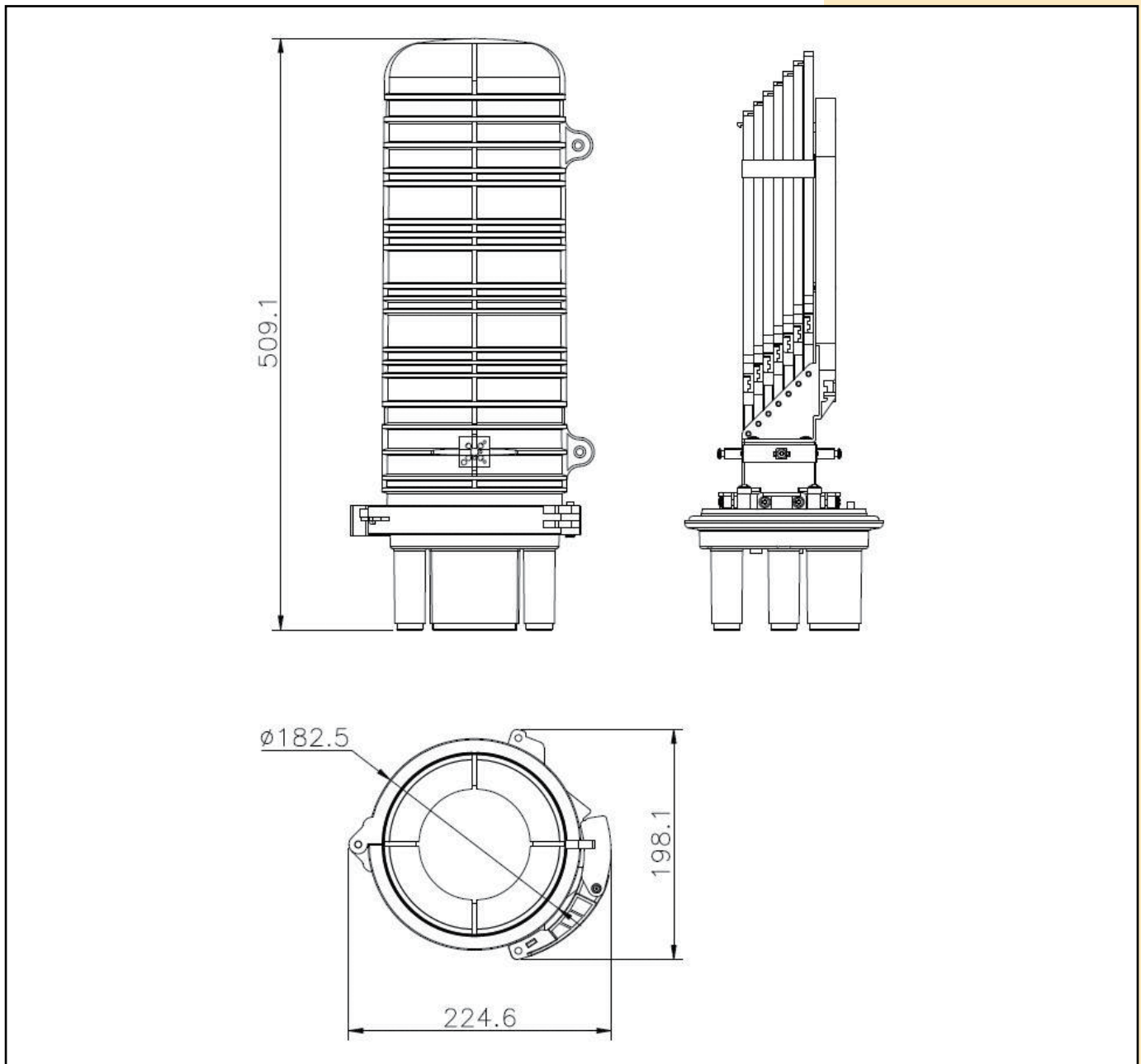
LP-F3314FBK Cylindrical Fiber Optical Splice Closure 1 oval port plus 4 round ports, $\Phi 182.5 \times 509.1\text{mm}$ (H)

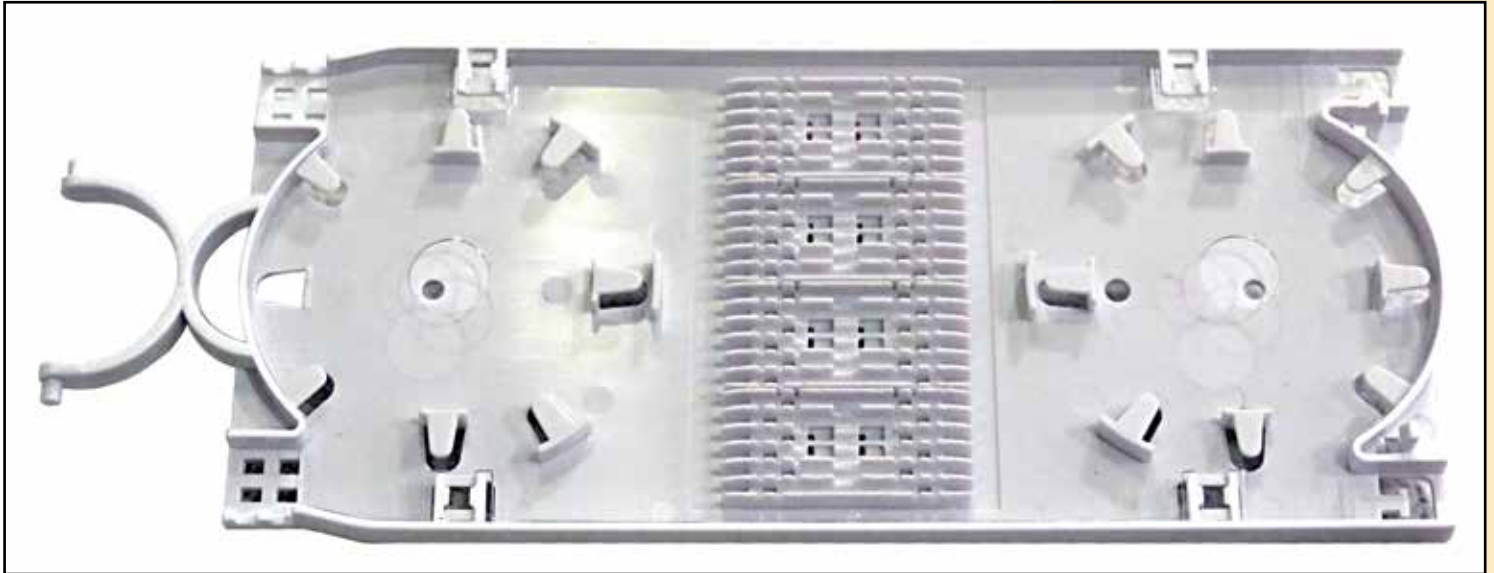
The **LP-F3314FBK** Cylindrical Fiber Optical Splice Closure 4 port, is widely applied to the splicing, distributing variable optical cables.

A Specifications:

Splice tray	Fiber core	Dimension (mm)
2 trays, each 24 cores, Optional up to 6 trays each 24 cores.	48 fiber cores, Optional up to 144 fiber cores	φ182.5 x height 509.1

B Dimensional Drawing:



C Individual Splice Tray**D How to order:**

LP-F3314FBK Cylindrical Fiber Optical Splice Closure 1 oval port plus 4 round ports, $\Phi 182.5 \times 509.1\text{mm}$ (H)

LP-F33702DIV ABS plastic fiber optic Splice Tray for cylindrical fiber optical splice closure for up to 24 cores.