

LP-F3314FBK2 Cylindrical Fiber Optical Splice Closure 1 oval port plus 4 regular ports, 231 (D) x 506.1mm (H)

LPF3314FBK2_SS_ENB01W

Features

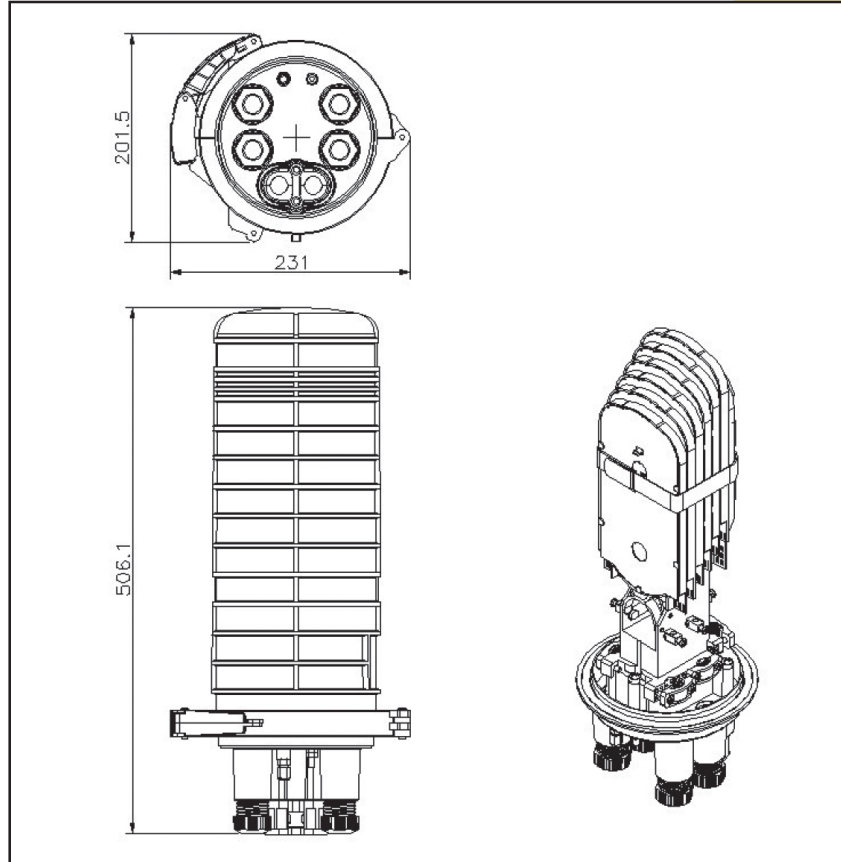
- Material: High impact PP plastic + UV resistance agent.
- Capacity: Use LP-F33702DIV tray, each tray for 24 fiber splicing. Max. for 6 trays, 144 cores.
- Cable ports: 6pcs Ø18mm ports (2pcs Ø12mm extra spare parts). Suitable for diameter 7~18mm cable.
- Sealing: Mechanical sealing.
- IP grade: IP68.
- Watertight. Rest assure will not damage your splices.
- Reusable. Rework and repair without problems. Over and over.
- No need torches, heat guns or similar. Just a adjustable wrench.
- Very fast to install and terminate.



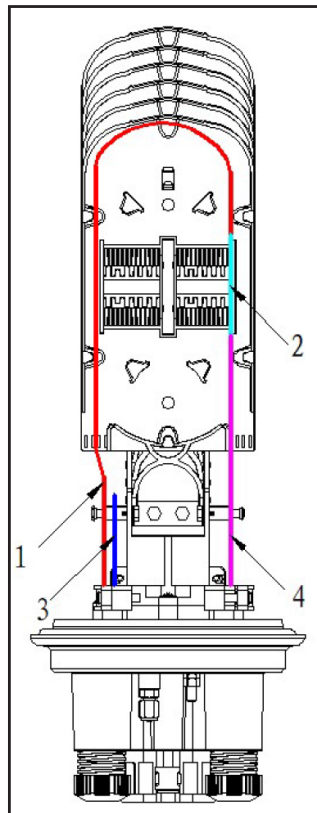
LP-F3314FBK2 Cylindrical Fiber Optical Splice Closure 1 oval port plus 4 regular ports, 231 (D) x 506.1mm (H)

LP-F3314FBK2 Cylindrical Fiber Optical Splice Closure is widely applied to the splicing, distributing variable optical cables and splitting. The solid box shell and the main structure can endure harsh environment. It protects the fiber optic cable from vibration, impact, stretches, twists. The closure can work in -35°C~70°C environment, cold and heat resistance, electrical, insulation, chemical corrosion resistance.

A Dimensional Drawing



B Cable Management



- 1- Input cable
- 2- Heat shrinkable tube
- 3- Cable strength member
- 4- Output cable

C Accessories List

ITEM	NAME	SPECIFICATION	UNIT	QTY
1	Transparent tube	Out diameter Ø 4mm. Thickness 0.6mm	M	1
2	Cable tie	3mm*120mm/white	PCS	12
3	Internal hexagonal wrench	S 5/black/N	PCS	1
4	Heat shrinkable tube	60MM*2.3*1.0/N	PCS	144
5	Cable port sealing plug C	11/30° TPE/black	PCS	2
6	Aerial kits	Stainless steel	SET	1



D How to order:

LP-F3314FBK2 Cylindrical Fiber Optical Splice Closure1 oval port plus 4 regular ports, 231 (D) x 506.1mm (H).

Lanpro is continuously improving its products and reserves the right to change specifications and availability without prior notice.