

LP-F31XX PLC Optical Splitter

LPF31XX_PFD_ENB01W

Features:

- Low insertion loss.
- Fan-out type/Non Fan-out type.
- High return loss and excellent uniformity.
- Low Polarization dependent loss.
- Environmental stable.
- Operation wavelength: 1260nm to 1650nm.
- SC/LC/ST/FC connector types.
- Up to 2x64 splitters available.



LP-F31XX PLC Optical Splitter

LanPro PLC (Planar Lightwave Circuits) splitters are developed using silica glass waveguide circuits and aligned fiber pigtailed, integrated inside a miniature package. PLC splitters provide low-cost solution for optical signal distribution, with small form factor and superb reliability.

Optical splitters are main FTTH products which can be provided from the chip to the module. Single mode 1xN & 2xN splitter divides uniformly optical signals from input ports to multiple outputs. Splitters can also be operated in the reverse direction to combine multiple wavelengths into one or two fibers.

A Application:

- FTTH systems.
- Optical LAN, Metro, WAN networks.
- Passive optical networks (ATM, WDM, Ethernet).
- CATV networks.
- Data communications.

B Specification:**Table 1 – 1×N PLC optical splitter (without connector)**

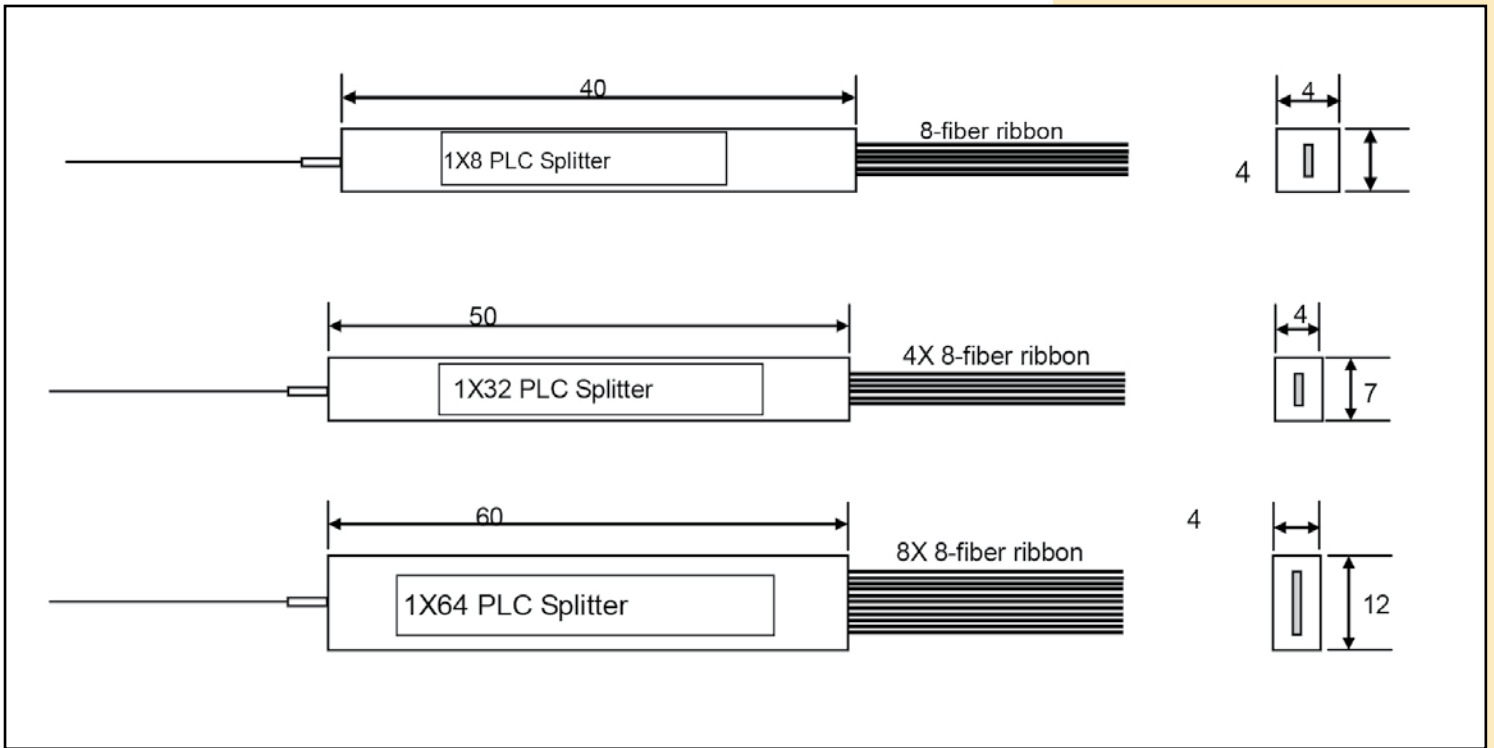
Parameters	1×2	1×4	1×8	1×16	1×32	1×64
Operating wavelength (nm)	1260~1650					
Fiber type	G657A or other under request					
Insertion Loss (dB) (S/P)	≤3.8	≤7.5	≤10.5	≤13.6	≤17.0	≤20.2
Uniformity (Max., dB)	≤0.6	≤0.6	≤1.0	≤1.0	≤1.3	≤1.8
Return Loss(dB) (S/P)	≥55	≥55	≥55	≥55	≥55	≥55
Polarization dependent loss (dB)	≤0.2	≤0.2	≤0.3	≤0.3	≤0.3	≤0.3
Directivity (dB)	≥55	≥55	≥55	≥55	≥55	≥55
Operating Temperature (°C)	-40~85					
Storage temperature(°C)	-40~85					

Table 2 – 2×N PLC Optical Splitter (without connector)

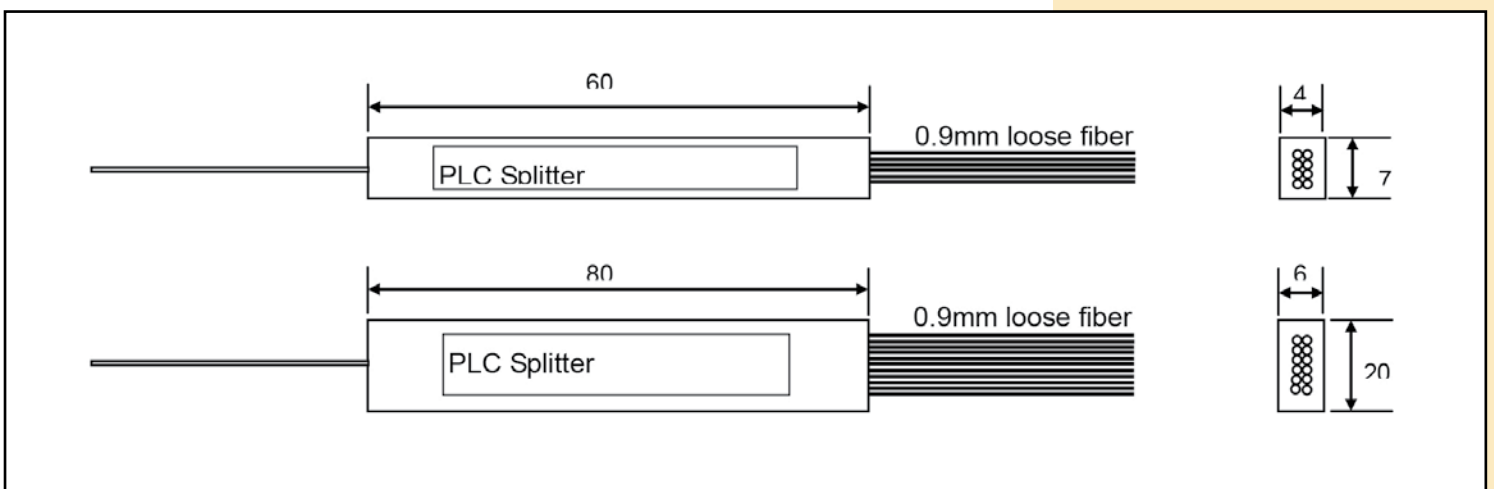
Parameters	2×2	2×4	2×8	2×16	2×32
Operating wavelength (nm)	1260~1650				
Fiber type	G657A or other request				
Insertion Loss (dB)(S/P)	≤4.4	≤7.6	≤11.0	≤14.3	≤17.5
Uniformity (Max., dB)	≤0.8	≤1.0	≤1.0	≤1.5	≤1.8
Return loss(dB) (S/P)	≥55	≥55	≥55	≥55	≥55
Polarization dependent loss (dB)	≤0.3	≤0.3	≤0.3	≤0.3	≤0.3
Directivity (dB)	≥55	≥55	≥55	≥55	≥55
Operating Temperature (°C)	-40~85				
Storage temperature (°C)	-40~85				

C Outside dimension:

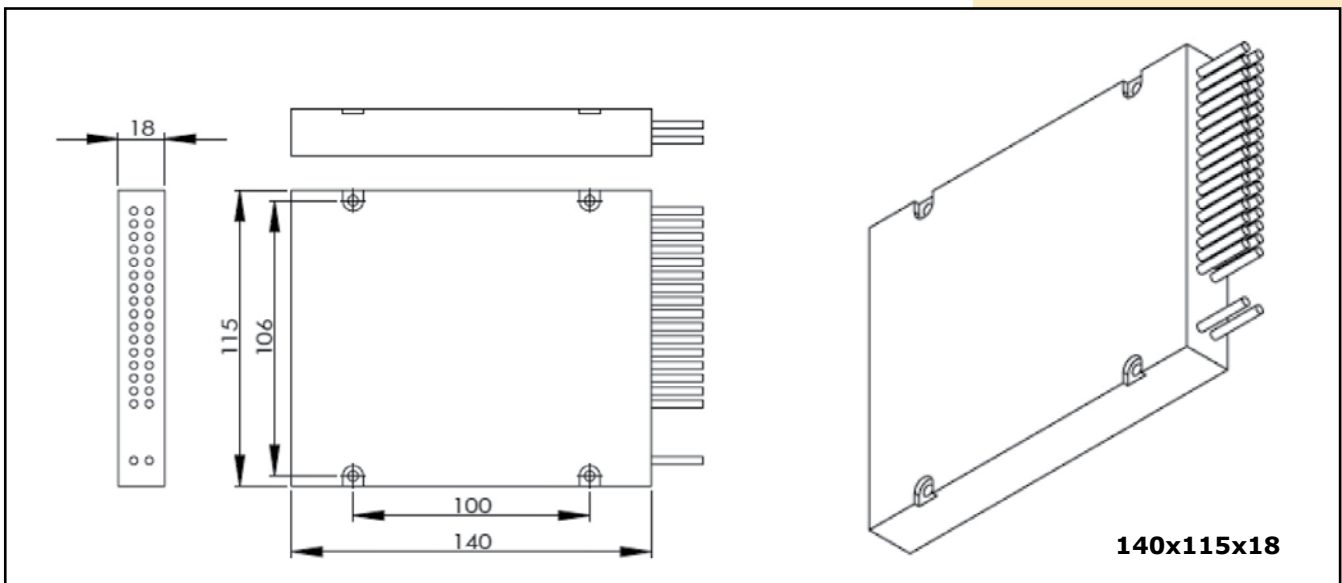
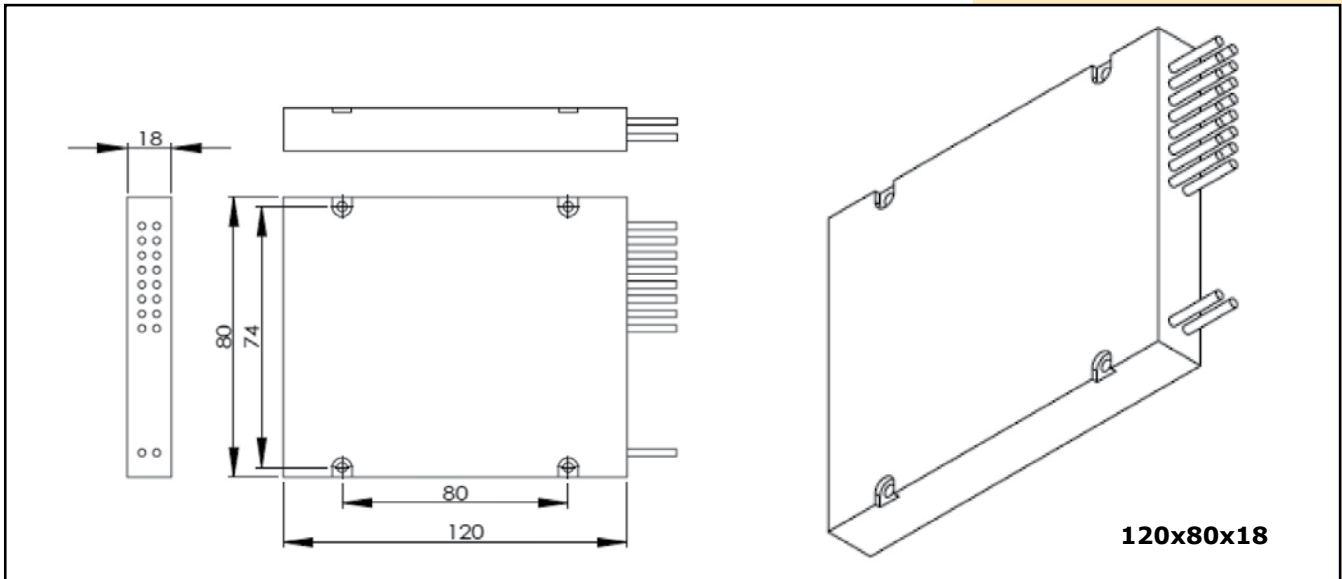
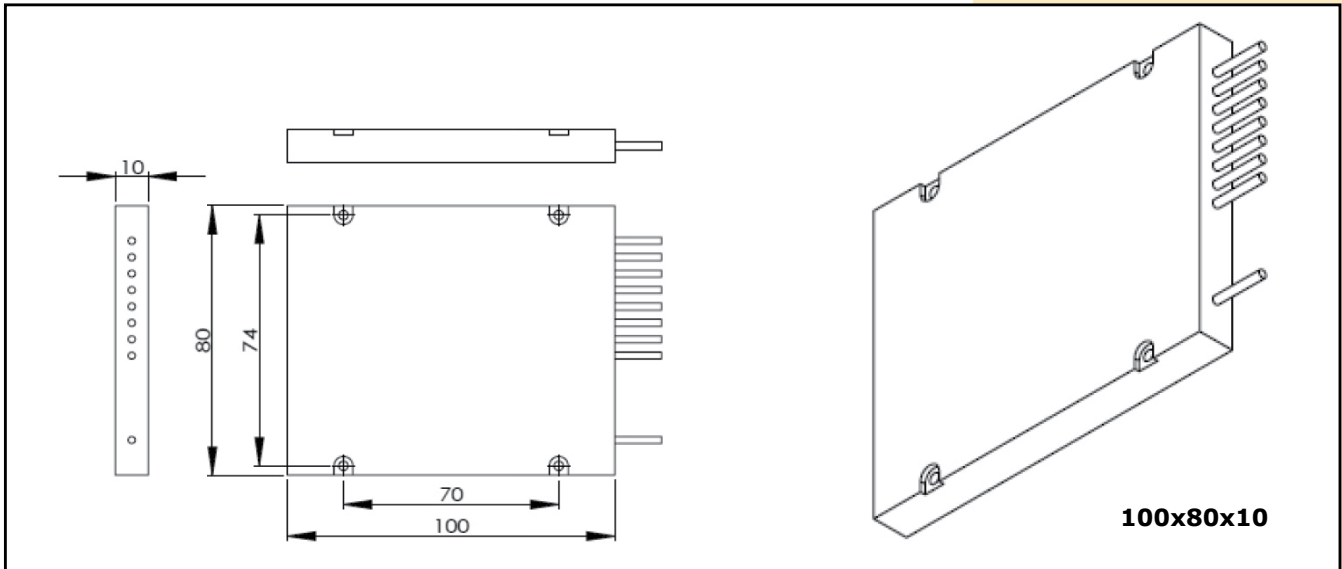
PLC Capsule Module device Ribbon Fiber



PLC Capsule Module device Loose Fiber



PLC Box Module device



D How to Order:

LP-F31SITOOTF

LP-F31	S		I
PLC Optical splitter	Splitter Type A PLC Capsule module B PLC Box Module C PLC Unifiber Panel Module		Inputs 1 Input 2 Inputs 3 Inputs 4 Inputs
T	OO	T	F
Input Connector type 0 No Connector 1 SC APC 2 SC UPC 3 LC APC 4 LC UPC 5 FC APC 6 FC UPC	Outputs 02 2 Outputs 04 4 Outputs 08 8 Outputs 16 16 Outputs 32 32 Outputs 64 64 Outputs	Output Connector type 0 No Connector 1 SC APC 2 SC UPC 3 LC APC 4 LC UPC 5 FC APC 6 FC UPC	Fiber type R Ribbon fiber L Loose fiber

Examples:

LP-F31A10020L	LanPro PCL splitter capsule Module 1:2, without connectors, Singlemode G657 Loose Fiber.
LP-F31B11041R	LanPro PCL splitter box module 1:4, Input SC APC, Output SC APC connectors, Singlemode G657 Ribbon fiber.