

**LP-F2102136121BK Type 2 Fan-Out Kit for Round 3mm Ribbon cable, or Loose Fibers in Round 3mm tubes with 12 Cores and 36 inch long LSZH rated 0.9 mm buffer tube colored legs in a black color Enclosure for Indoor use.**

LPF2102136121BK\_SS\_ENB01W

### Features

- For terminating Round 3mm Ribbon cable or Loose Fibers in Round 3mm tubes with 12 Cores.
- Length 36 inches.
- Eliminates strain on fibers by isolating them from tensile forces.
- Bend radius is limited by the tubing.
- Snap together furcation enclosure, eliminates epoxy filler adhesive for indoor kits, black colored.
- Compact design.
- Fiber routing capabilities are excellent for better fiber management.
- Are quick and easy to install.
- Wide temperature compensation.
- Optimized for indoor field termination of cables.
- Temperature range of 0° to +70°C (+32° to +158°F).



**LP-F2102136121BK Type 2 Fan-Out Kit for Round 3mm Ribbon cable, or Loose Fibers in Round 3mm tubes with 12 Cores and 36 inch long LSZH rated 0.9 mm buffer tube colored legs in a black color Enclosure for Indoor use.**

The LP-F2102136121BK is a Fan-Out Kit for Round 3mm Ribbon cable, or Loose Fibers in Round 3mm tubes with 12 Cores and 36 inch long LSZH rated 0.9 mm buffer tube colored legs in a black color Enclosure for Indoor use

LanPro Indoor Fan-Out Kits provide our customers with the best practical solution for the field installation of connectors for terminating 12 fiber buffer tubes.

They are designed to sleeve the 250µm loose tube fibre with a 900 µm buffer tube. They are ideal for indoor cross connects and require no additional space or hardware devices for terminating buffer tubes.

The robust 900 µm fan-out has been color coded in order to facilitate the identification and matching with the individually colored fiber coming from the tube.

This fanout kit has 36 inches length legs for your convenience and flexibility needed by your field installation.

Indoor kits are recommended in environments within a temperature range of 0° to +70°C (+32° to +158°F). In applications where colder temperatures are expected, the outdoor version is recommended.

**A** Components:

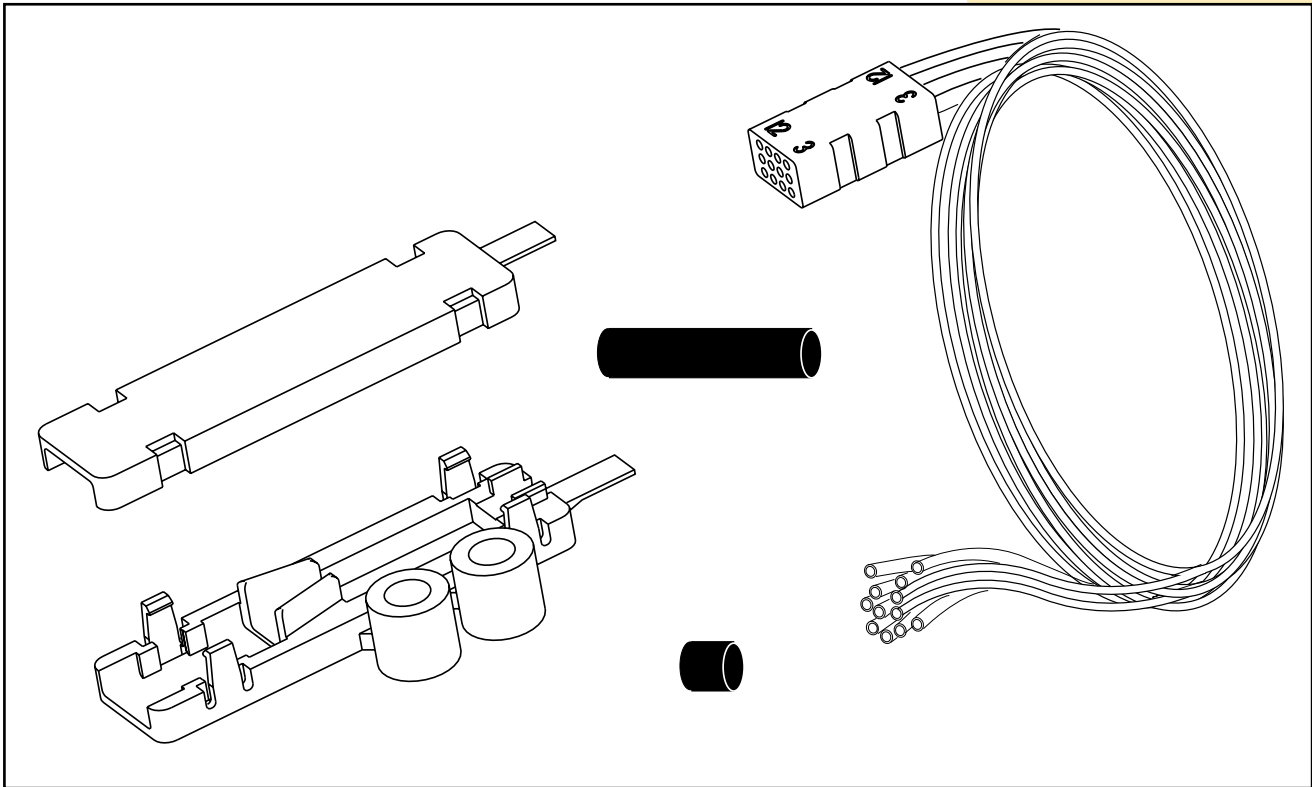


Figure 1

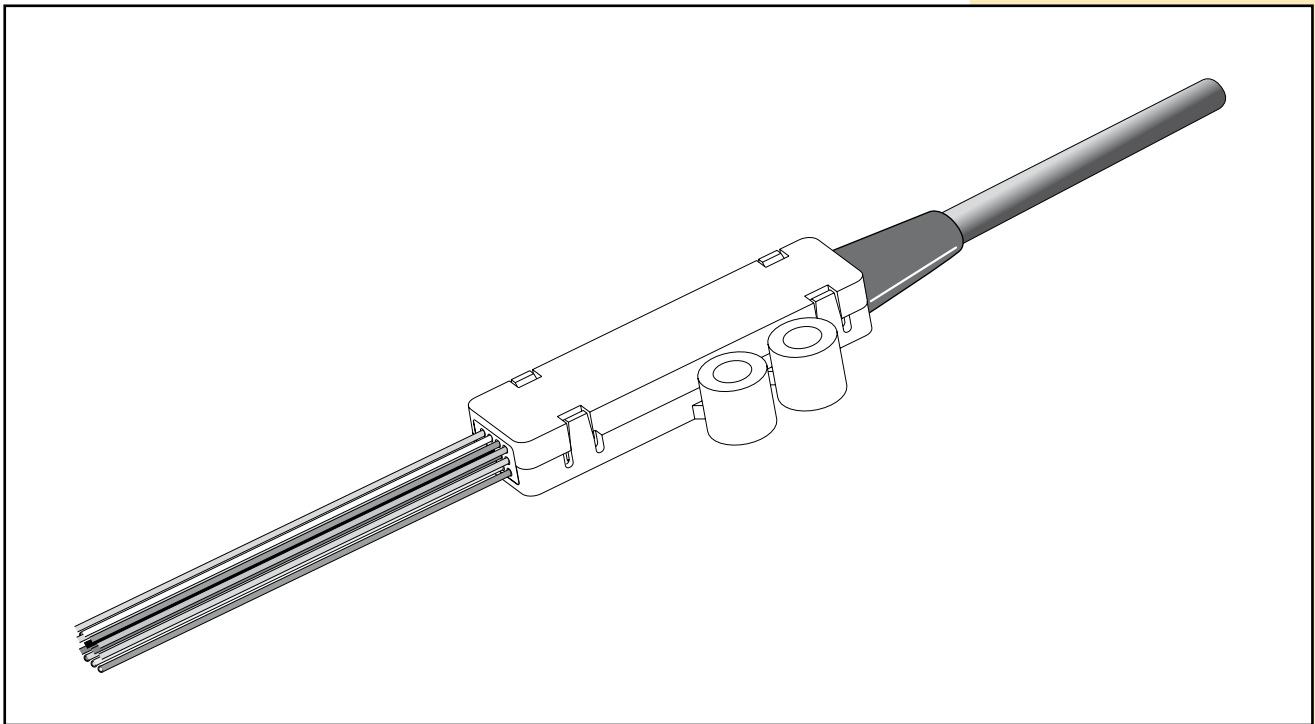


Figure 2

**B Dimensions:**

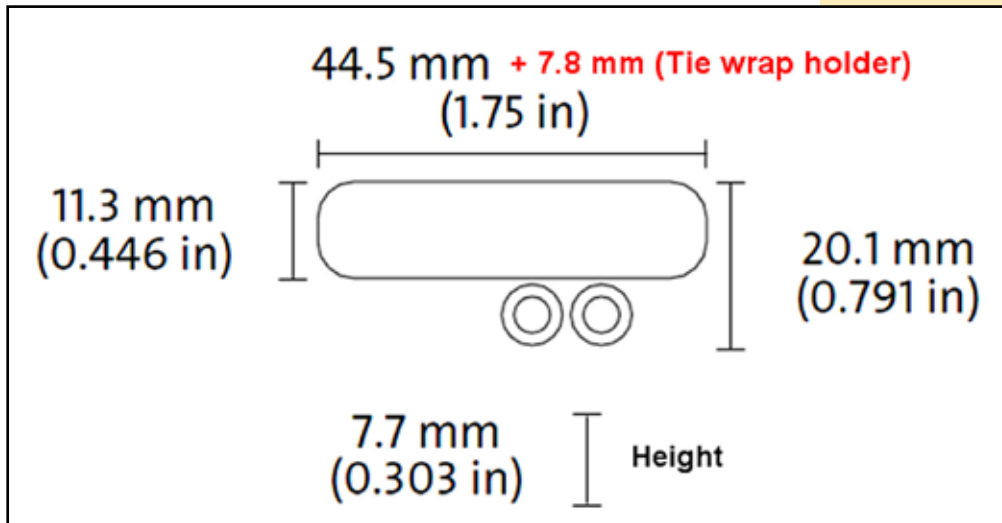


Figure 3

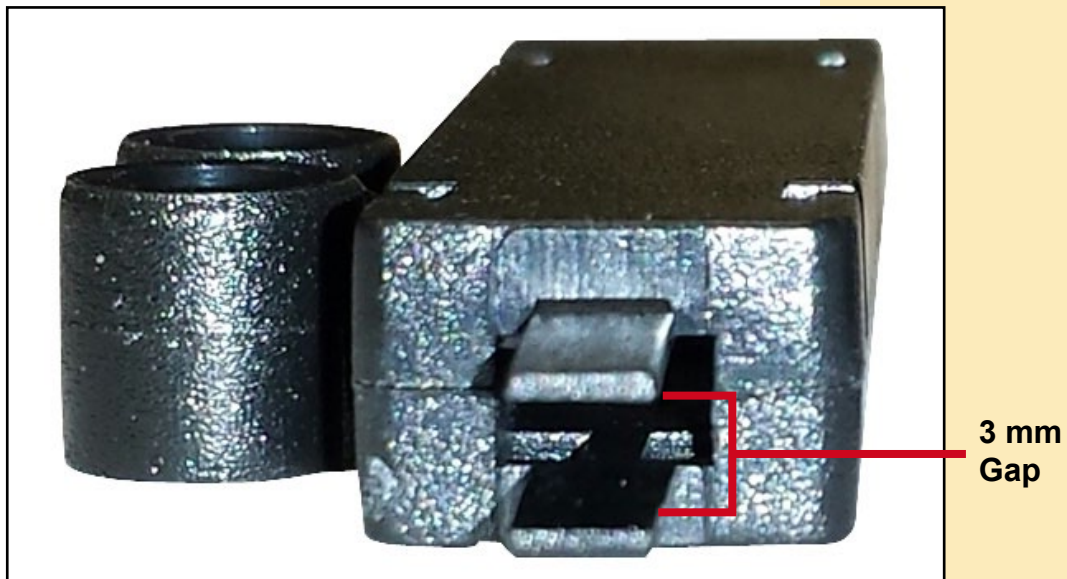


Figure 4

**C How to Order:**

**LP-F2102136121BK** Type 2 Fan-Out Kit for Round 3mm Ribbon cable, or Loose Fibers in Round 3mm tubes with 12 Cores and 36 inch long LSZH rated 0.9 mm buffer tube colored legs in a black color Enclosure for Indoor use.