

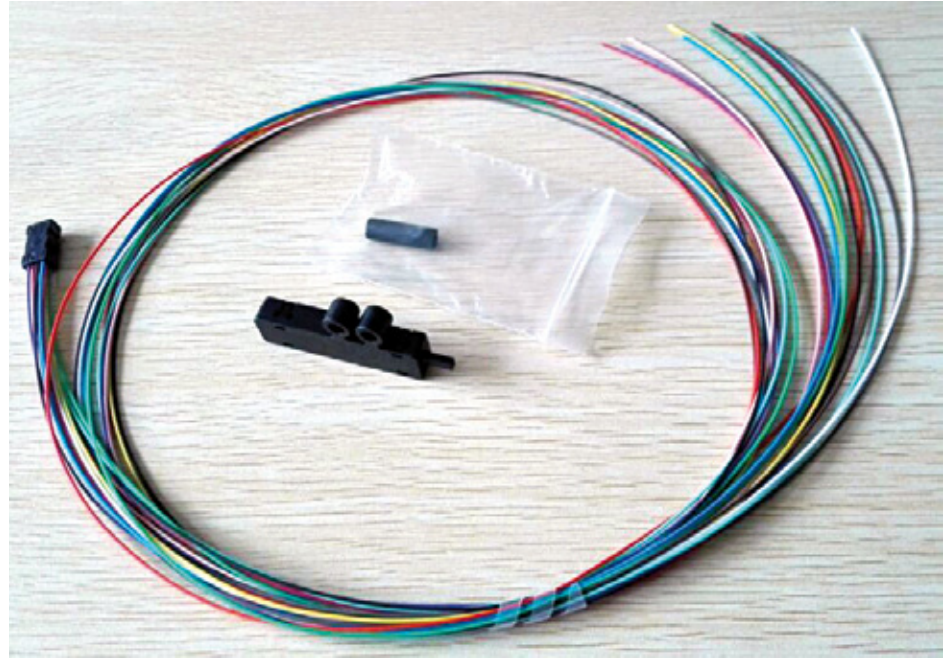
LP-F2101136121BK

Type 1 Fan-Out Kit for Flat Ribbon Fiber Cable with 12 Cores and 36 inch long LSZH rated 0.9 mm buffer tube colored legs, in a black color Enclosure for Indoor use.

LPF2101136121BK_SS_ENB01W

Features

- For terminating 12 Fiber Flat Ribbon Cables.
- Length 36 inches.
- Eliminates strain on fibres by isolating them from tensile forces.
- Bend radius is limited by the tubing.
- Snap together furcation enclosure, eliminates epoxy filler adhesive for indoor kits, black colored.
- Compact design.
- Fiber routing capabilities are excellent for better fiber management.
- Are quick and easy to install.
- Wide temperature compensation.
- Optimized for indoor field termination of cables.
- Temperature range of 0° to +70°C (+32° to +158°F).



LP-F2101136121BK
Type 1 Fan-Out Kit for Flat Ribbon Fiber Cable
with 12 Cores and 36 inch long LSZH rated 0.9 mm buffer
tube colored legs, in a black color Enclosure for Indoor use.

The **LPF2101136121BK** is a Type 1 Fan-Out Kit for Flat Ribbon Fiber Cable with 12 Cores and 36 inch long LSZH rated 0.9 mm buffer tube colored legs, in a black color Enclosure for Indoor use.

LanPro Indoor Fan-Out Kits provide our customers with the best practical solution for the field installation of connectors for terminating 12 fiber buffer tubes.

They are designed to sleeve the 250µm loose tube fibre with a 900 µm buffer tube. They are ideal for indoor cross connects and require no additional space or hardware devices for terminating Flat Ribbon Fiber Cables.

The robust 900 µm fan-out has been color coded in order to facilitate the identification and matching with the individually colored fiber coming from the tube.

This fanout kit has 36 inches length legs for your convenience and flexibility needed by your field installation.

Indoor kits are recommended in environments within a temperature range of 0° to +70°C (+32° to +158°F). In applications where colder temperatures are expected, the outdoor version is recommended.

A Components:

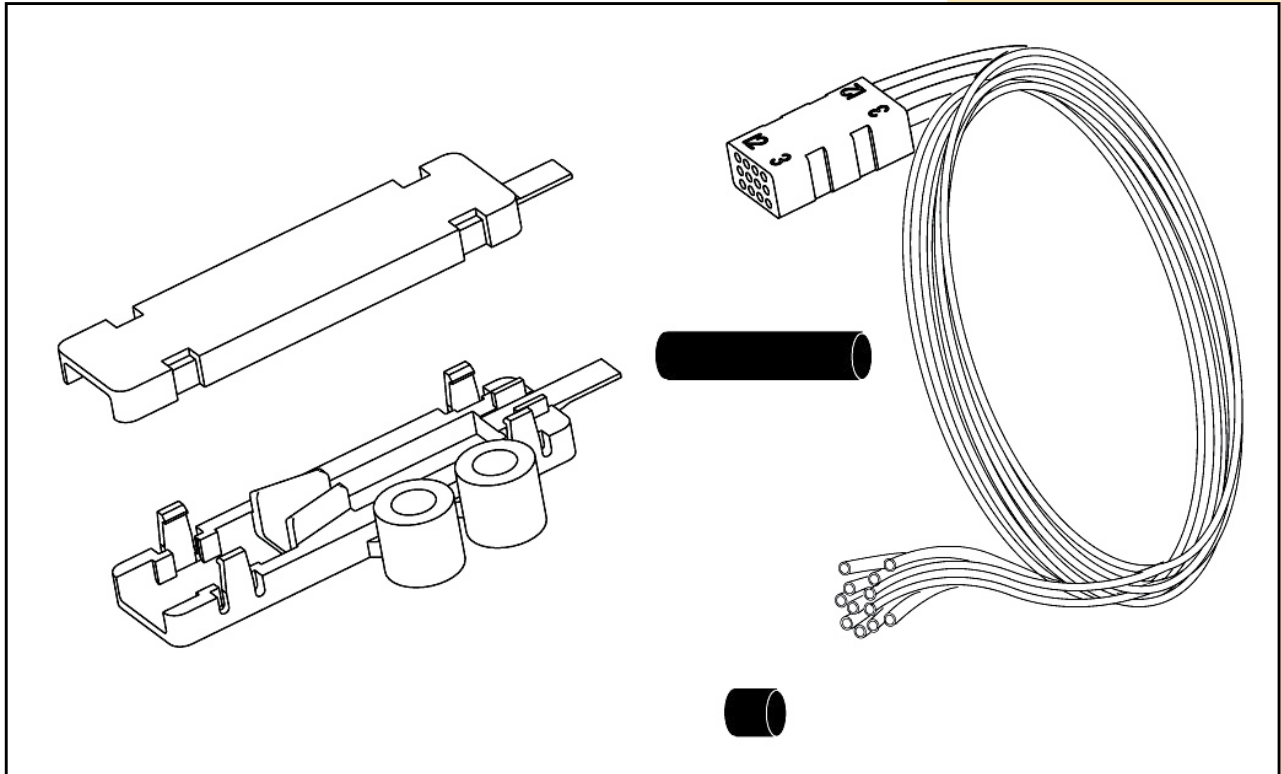


Figure 1

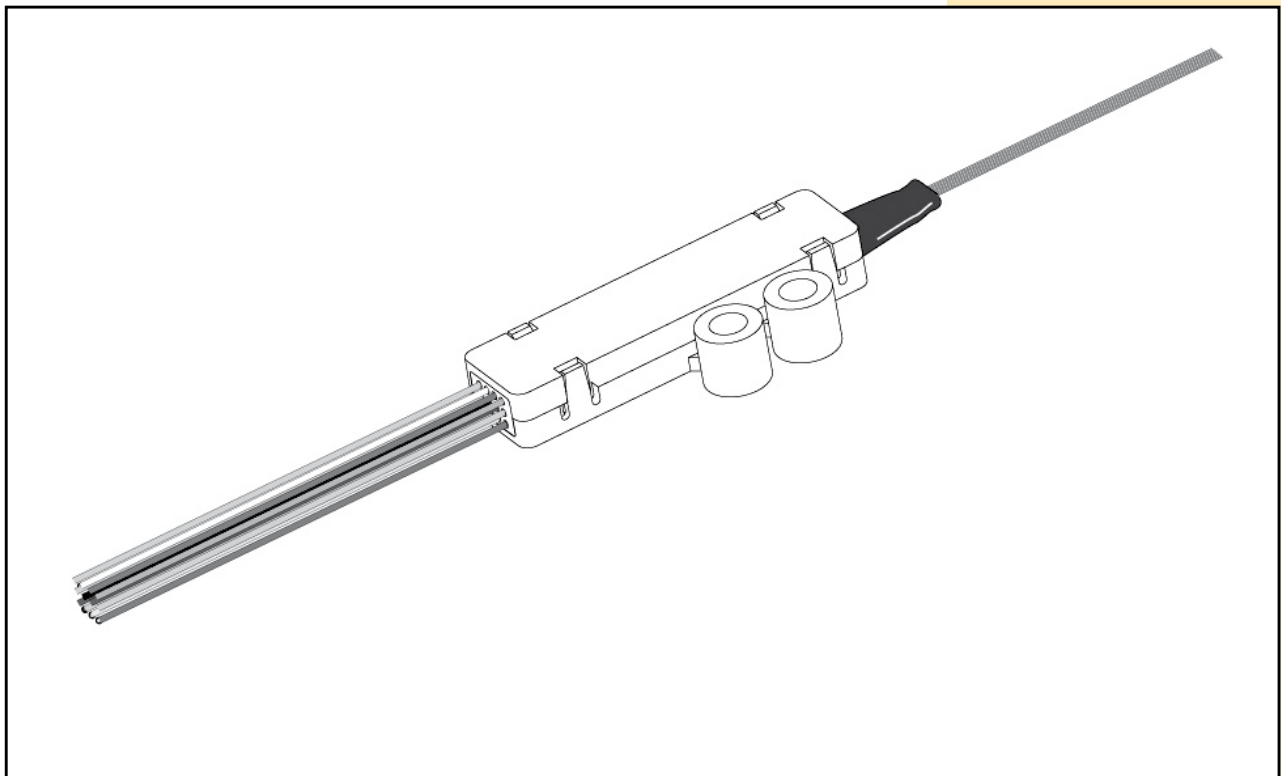


Figure 2

B Dimensions:

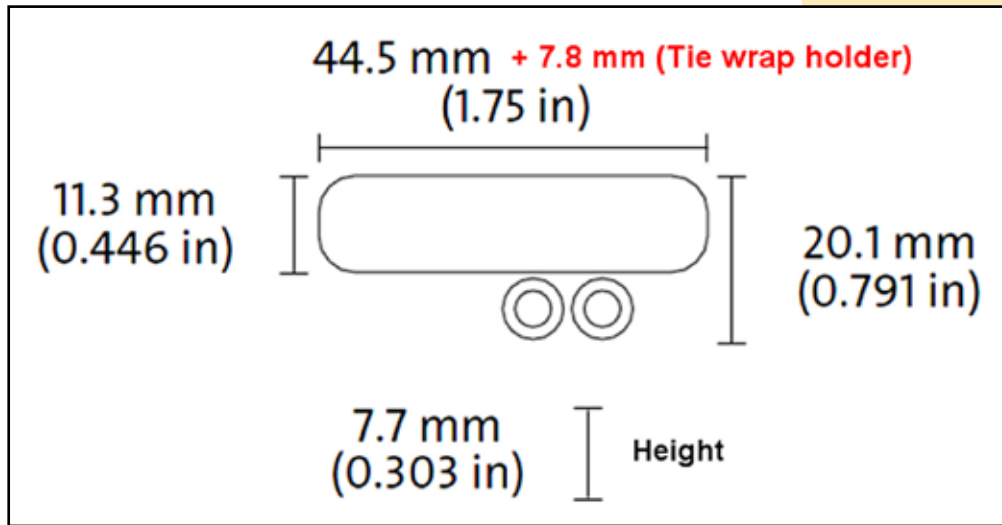


Figure 3

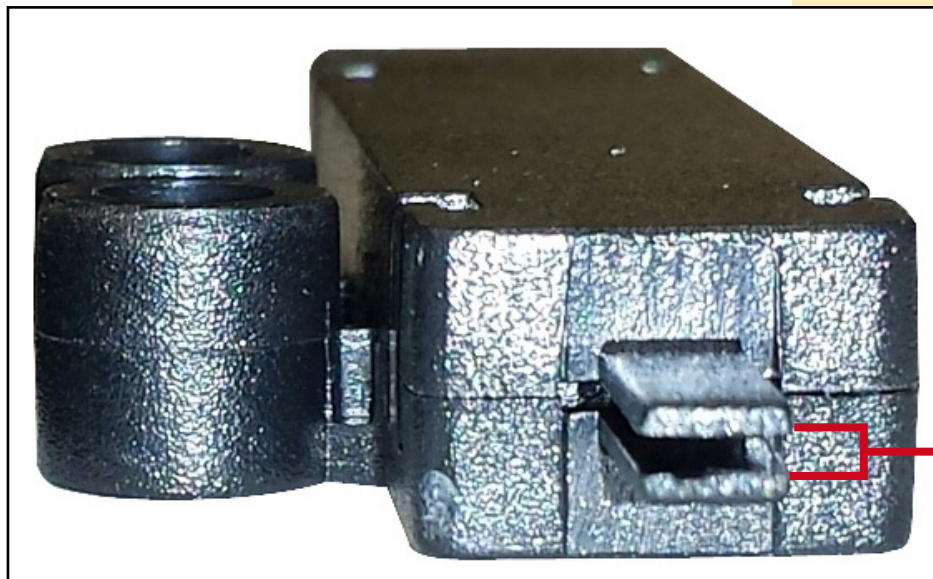


Figure 4

C How to Order:

LP-F2101136121BK Type 1 Fan-Out Kit for Flat Ribbon Fiber Cable with 12 Cores and 36 inch long LSZH rated 0.9 mm buffer tube colored legs, in a black color Enclosure for Indoor use.