

**LP-F205HOY00 Unloaded FTTH fiber optic terminal Outdoor ABS plastic box, Pole or Wall mountable for up to 16 fiber adaptors SC, ST, LC, FC, etc. (not included)**

LPF205HOY00\_SS\_ENB01W

### Características:

- For use in the end outdoor termination of residential building and villas in FTTH applications.
- Wall or Pole Mountable.
- High Quality ABS plastic Oyster white box.

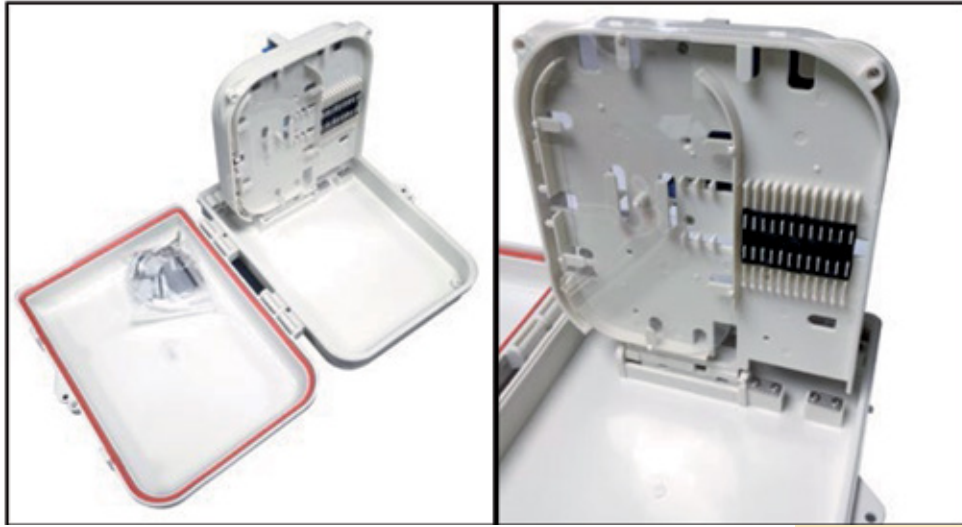


### **LP-F205HOY00 Unloaded FTTH fiber optic terminal Outdoor ABS plastic box, Pole or Wall mountable for up to 16 fiber adaptors SC, ST, LC, FC, etc. (not included)**

The **LP-F205HOY00** is a FTTH fiber optic terminal Outdoor plastic box used in the end termination of residential building and villas to fix and splice pigtails. It can be installed on the wall or onto a Pole. It is made of high quality ABS plastic.

Reasonable design for fiber arrangement, with a bend radius with more than 30 mm.



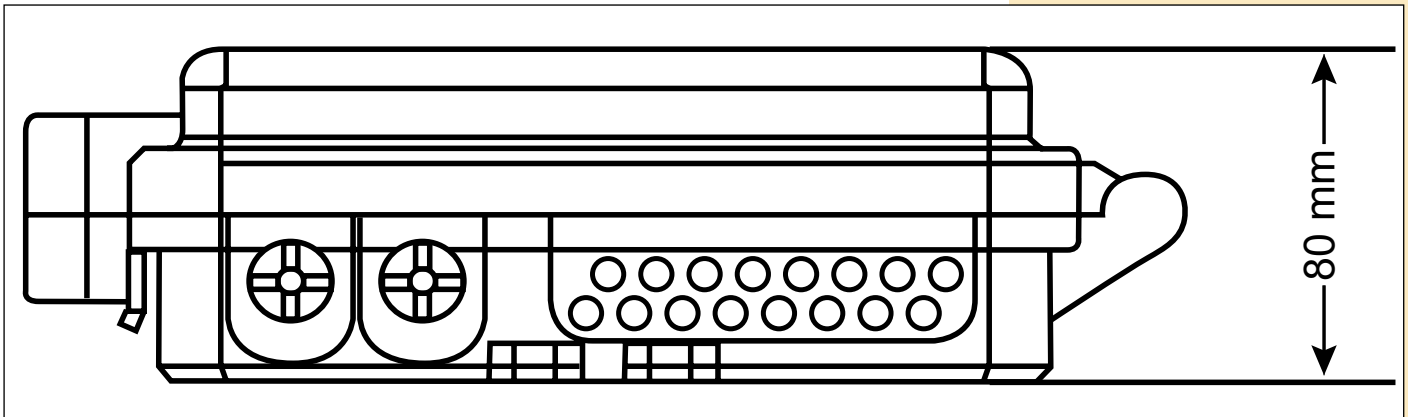


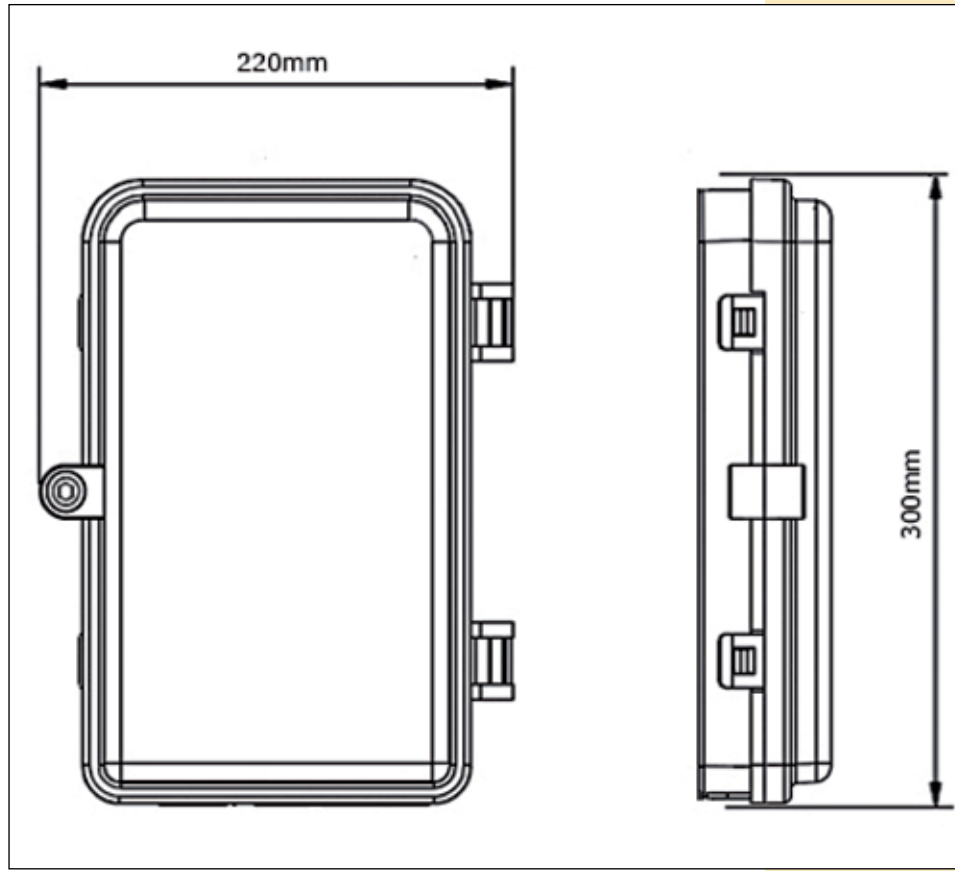
**A Specifications**

Operating temperature	-20°C + 80°C
Relative humidity	≤90% (+30%) without condensation
Atmospheric pressure	70Kpa -106Kpa
Storage Temperature	-20°C+80°C
IP standard	IP55

**B Dimensional drawing**

300 mm (H) × 220 mm (W) × 80 mm (D)





### **C** How to order:

**LP-F205HOY00**

Unloaded FTTH fiber optic terminal Outdoor ABS plastic box, Pole or Wall mountable for up to 16 fiber adaptors SC, ST, LC, FC, etc. (not included).

*LanPro is continuously improving its products and reserves the right to change specifications and availability without prior notice.*