

LP-F205GOY00 Unloaded FTTH fiber optic terminal ABS plastic box, Pole or Wall mountable with up to 4 positions for LC or SC adaptors respectively (not included).

LPF205GOY00_PFD_ENB01W

Features:

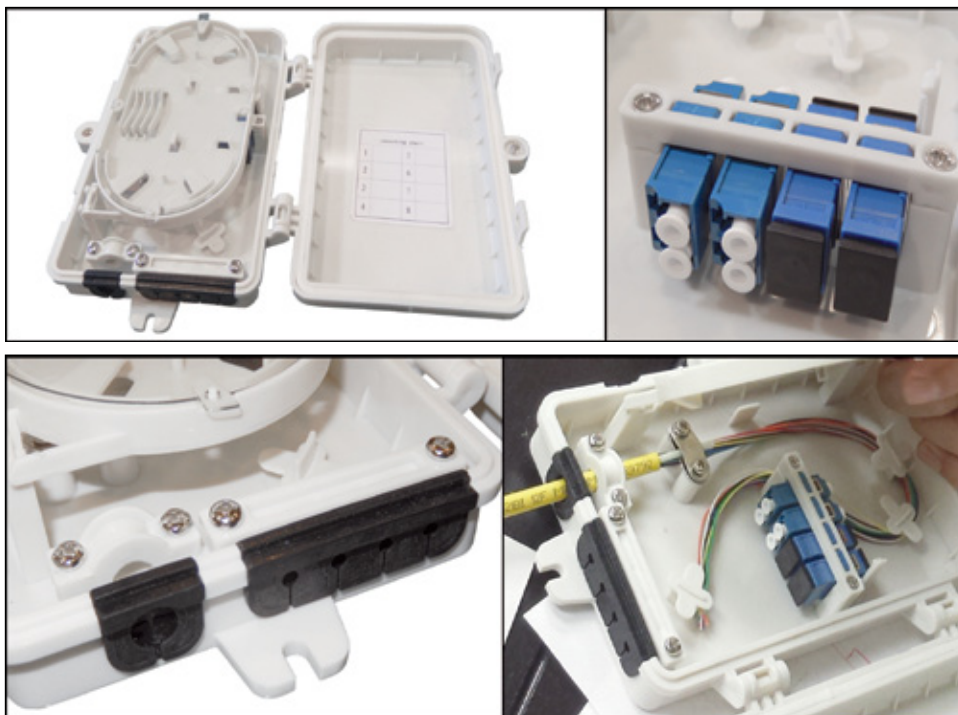
- For use in the end termination of residential building and villas in FTTH applications.
- Wall or Pole Mountable.
- Used in 4 Way splitter.
- Suitable for loading it with up to 4 positions of LC or SC adaptors respectively.
- High Quality ABS plastic Oyster white box.



**LP-F205GOY00
Unloaded FTTH fiber optic terminal ABS plastic box,
Pole or Wall mountable with up to 4 positions
for LC or SC adaptors respectively (not included).**

The **LP-F2054GOY00** is a FTTH fiber optic terminal plastic box used in the end termination of residential building and villas to fix and splice pigtailed. It can be installed on the wall or onto a Pole and loaded with variety of optical connection styles. It is made of high quality ABS plastic.

Reasonable design for fiber arrangement, with a bend radius with more than 30mm. Suitable for loading it with up to 4 positions for LC or SC adaptors respectively.

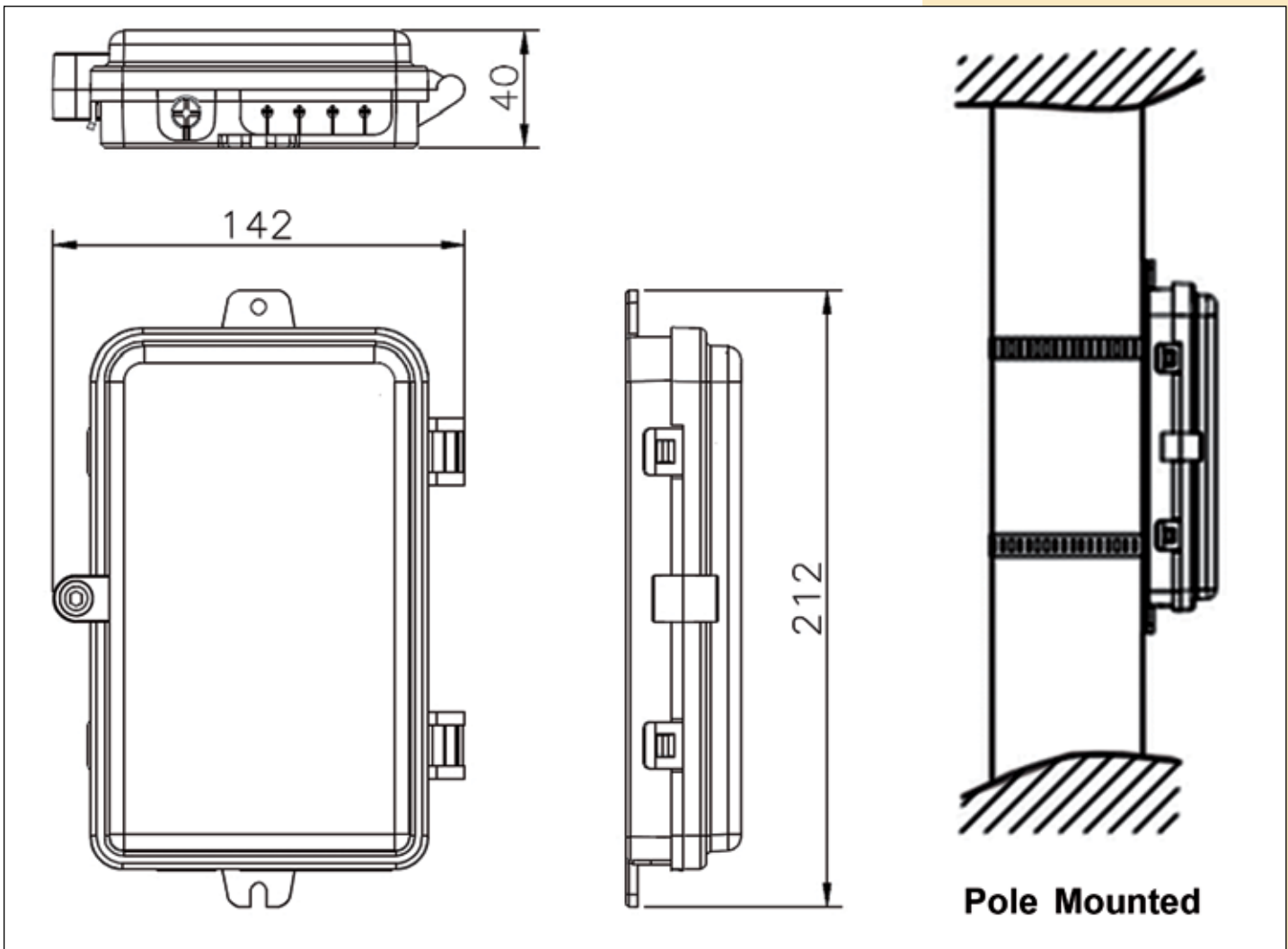


A Specifications

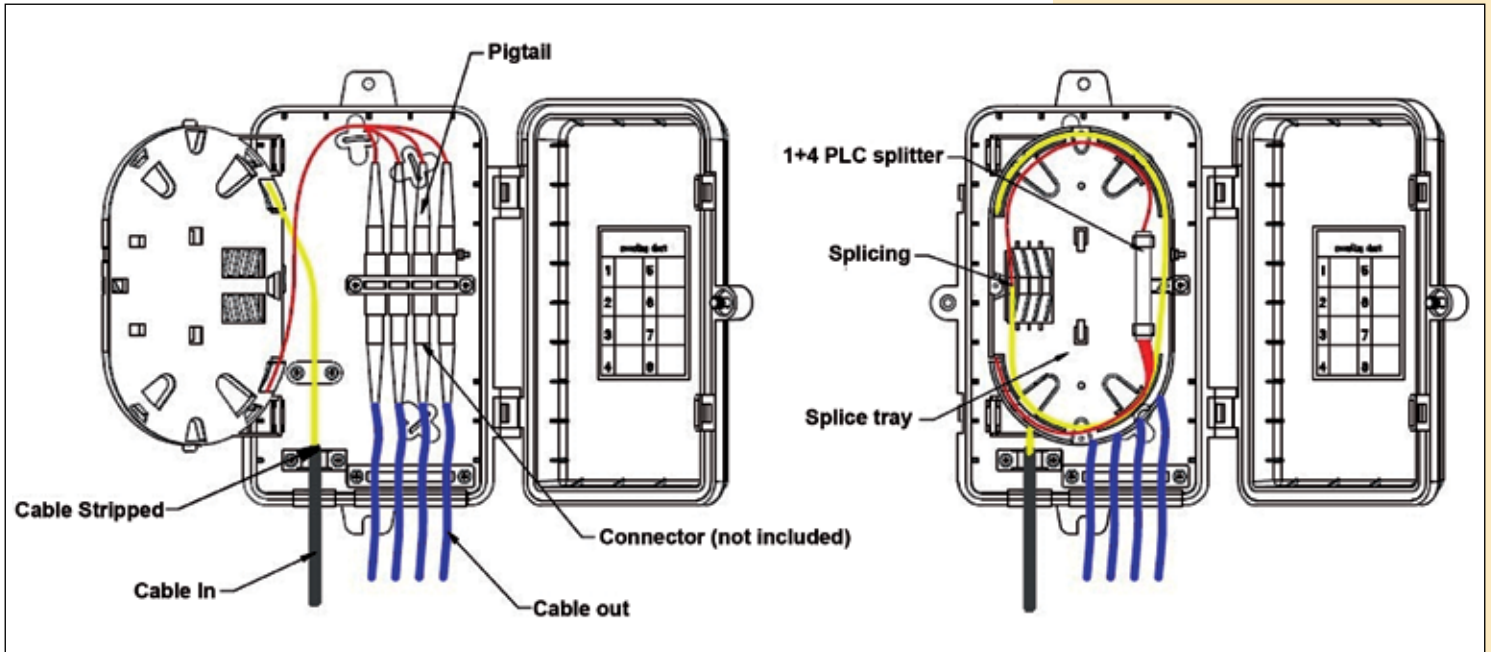
Operating temperature	-20°C + 80°C
Relative humidity	≤90% (+30%) without condensation
Atmospheric pressure	70Kpa -106Kpa
Storage Temperature	-20°C + 80°C
Adaptors	Not included
IP standard	IP55

B Dimension and Pole mounted using drawings

212(H)mm×142(W)mm×40(D)mm



C Fiber arranging drawings



D How to Order:

LP-F205GOY00

Unloaded FTTH fiber optic terminal ABS plastic box, Pole or Wall mountable with up to 4 positions for LC or SC adaptors respectively (not included).

LanPro can supply this enclosure fully factory-loaded with all kind of adaptors, customized pigtails, and accessories. Please e-mail our sales dept. at sales@lanpro.com for more details.

LanPro is continuously improving its products and reserves the right to change specifications and availability without prior notice.